

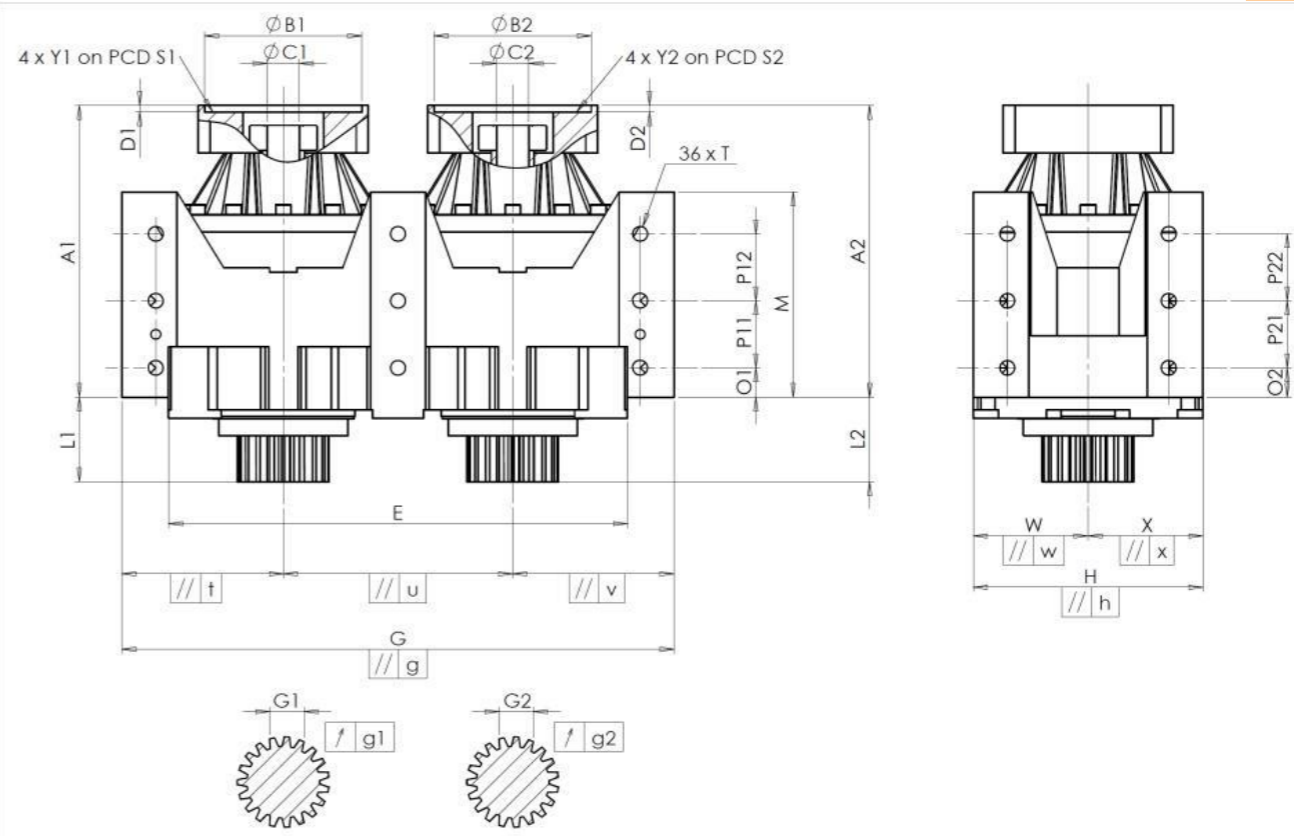
CUSTOMER: REDEX GmbH
 DISTRIBUTOR: REDEX GmbH
 DESIGNATION: DRP4.M1.61.3.H.22/32
 CODE: RX136353-32
 CUSTOMER ORDER REF: [REDACTED]
 REDEX ORDER REF: 1000422
 SERIAL NUMBER: 910732
 MOTOR FLANGE CODE: RX129855-01

For the installation, please refer to User Manual DRP (182/009)

SPECIFIC REMARKS:

Product images are for illustrative purposes only.

EXTERNAL DIMENSIONS & INTERFACES: SN: 910732



General tolerance: Js13
 Cmm Automatic / manual coordinate-measuring machine
 µm Micrometer
 Cr Calliper rule
 Di Dial indicator
 Pg Plug gauge

HOUSING				HOUSING				MOTOR FLANGE			
requirement	measure	requirement	measure	requirement	measure	requirement	measure				
	J5086	O1	43	Cr	43		1bride				
E	640 ⁰ _{-0,1}	Cmm	639.97	P11	100	Cr	100				
G	800 ^{+0,2} _{-0,2}	Cmm	800.009	P12	100	Cr	100				
// g	0,05	Cmm	0.006	M	288 ^{+0,1} _{-0,1}	Cmm	288.047				
// t	0,05	Cmm	0.001	O2	43	Cr	43				
// u	0,035	Cmm	0.008	P21	100	Cr	100				
// v	0,05	Cmm	0.003	P22	100	Cr	100				
W	160	Cmm	159.99	Ø T	M24	Pg	M24				
// w	0,04	Cmm	0.006	OUTPUT PINION							
X	160	Cmm	160.004	Pinion 1 J5035							
// x	0,04	Cmm	0.004	Span dimension over 3 teeth							
H	320 ^{+0,04} _{-0,04}	Cmm	319.995	G1	46,9 ⁰ _{-0,03}	Cmm	46.89				
// h	0,02	Cmm	0.017	g1	0,022	Di	0.01				
A1	386.5	Cmm	344.708	Pinion 2 J5030							
L1	120	Cmm	120.057	Span dimension over 3 teeth							
A2	386.5	Cmm	387.477	G2	46,9 ⁰ _{-0,03}	Cmm	46.885				
L2	120	Cmm	120.039	g2	0,022	Di	0.02				
				No-load input torque							
				Line 1	1,6 Nm						
				Line 2	1,6 Nm						
				Noise level							
				@1300 rpm input (dB(A))							
				58.5							
				Line Stiffness							
				Torsional stiffness (Nm/arcmin)							
				1 745,99							
				2 745,99							
				Radial stiffness (N/µm)							
				1 1324,44							
				2 1086,75							

Date: 11/05/2026

Visa: C DE MIRANDA

Version: A