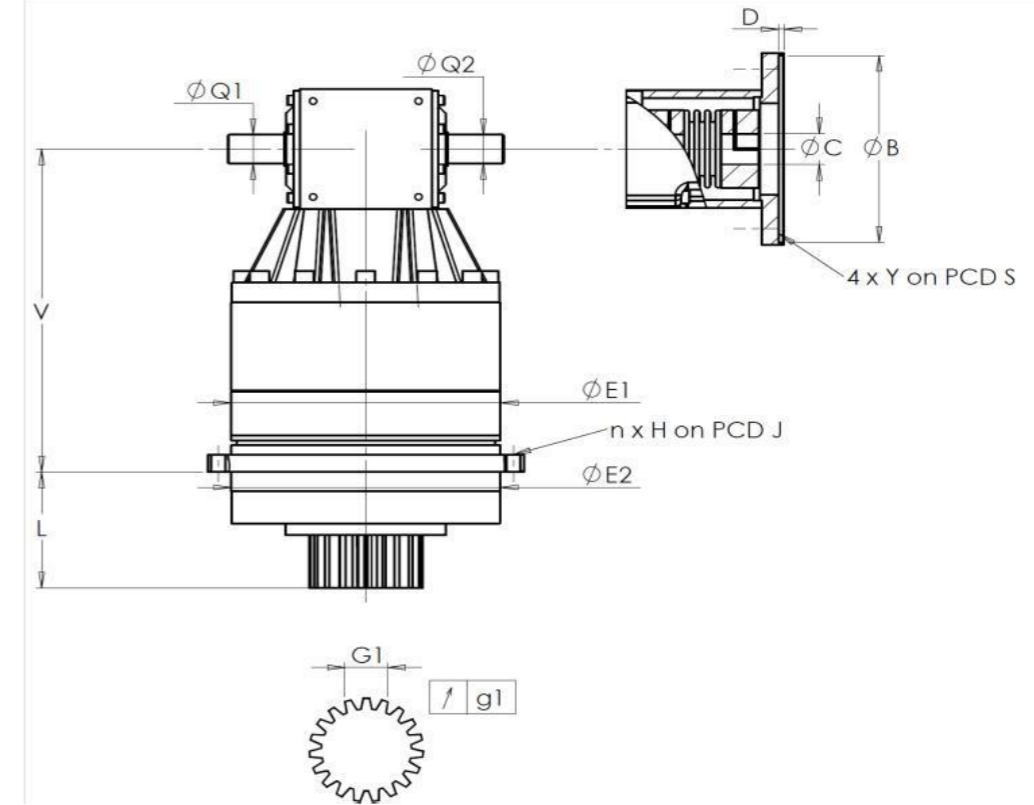


CUSTOMER: **YONG JU PRECISION** CUSTOMER ORDER REF: **[REDACTED]**
 DISTRIBUTOR: **[REDACTED]** REDEX ORDER REF: **1000857**
 DESIGNATION: **KRP2.R1.31.4.H** SERIAL NUMBER: **910684**
 CODE: **RX133930-12** MOTOR FLANGE CODE: **[REDACTED]**

EXTERNAL DIMENSIONS & INTERFACES: SN: **910684**



For the installation, please refer to User Manual KRP (182/008)

SPECIFIC REMARKS:

General tolerance: Js13 Cmm Automatic / manual coordinate-measuring machine μm Micrometer Cr Calliper rule Di Dial indicator Pg Plug gauge

HOUSING				OUTPUT PINION				MOTOR FLANGE			
requirement		measure		requirement		measure		requirement		measure	
		J6776				J5190				-	
E1	212h7 ⁰ _{-0,046} μm		211.99	Span dimension over 4 teeth				∅	B		μm
E2	200h7 ⁰ _{-0,046} μm		200	G1	44,27 ⁰ _{-0,03} Cmm		44.251	∅	C		μm
n x H on PCD J	12 ∅9 on PCD 233	Cr	12 ∅9 on PCD 233	g1	0,022	Di	0.02		D		Cr
V	289	μm	289.27	No-load input torque				∅	S1		Cr
L	94	μm	93.88	Line 1		1,8 Nm		∅	Y1		Pg
∅ Q1	25 ^{+0,009} _{-0,004} μm		25.001	Noise level						@1600 rpm input (dB(A))	67.5
∅ Q2	25 ^{+0,009} _{-0,004} μm		25.001	Torsional stiffness (Nm/arcmin)		1	225				
				Radial stiffness (N/μm)		1	605,62				

Date: **18/05/2026**

Visa: **C DE MIRANDA**

Version: **A**

Product images are for illustrative purposes only.