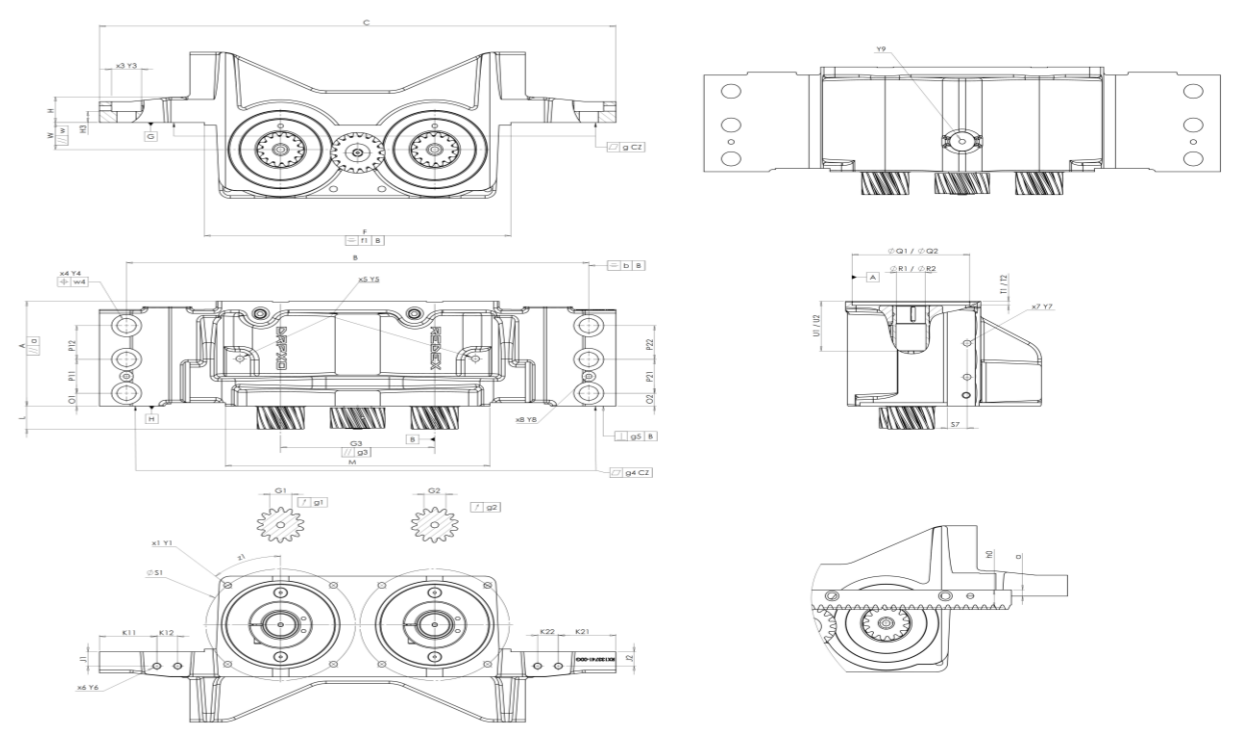


CUSTOMER: **DMG MORI** CUSTOMER ORDER REF:   
 DISTRIBUTOR: **REDEX ORDER REF: 220411**  
 DESIGNATION: **DRPX0+M.10.3.XH.V1.22/32** SERIAL NUMBER: **910454**  
 CODE: **RX134606-03** MOTOR FLANGE CODE:

EXTERNAL DIMENSIONS & INTERFACES: SN: **910454**



Pour la mise en service de l'appareil, se référer au User Manual DRP (182/027)

SPECIFIC REMARKS:  
\*Akzeptiert gemäß Redex Abweichung RX15307

OUTPUT PINION				
Pinion 1		E3730		
Span dimension over 3 teeth				
G1	23,466	<sup>-0,071</sup> <sub>-0,082</sub>	Cmm	23.39
g1	0,021	<sup>-0,082</sup>	Di	0.02
Pinion 2		E3700		
Span dimension over 3 teeth				
G2	23,466	<sup>-0,071</sup> <sub>-0,082</sub>	Cmm	23.39
g2	0,021		Di	0.02
Height setting				
h0	26		Di	25.985
a	9.075		Di	9.0533

HOUSING		HOUSING		MOTOR FLANGE	
requirement	measure	requirement	measure	requirement	measure
	F915	G	W 40	A Ø	Q1 130 JS6
			<sup>+0,025</sup> <sub>-0,025</sub> Cmm		<sup>+0,012</sup> <sub>-0,012</sub> Cmm
H	A 155	//	w 0,03	Ø	R1 32 F7
			Cmm		<sup>+0,05</sup> <sub>+0,025</sub> µm
	a 0,03		O1 19	T1	6
			Cmm		Pg
	B 510		O2 19	U1	73 min
			Cmm		Pg
	b 0,5		P11 50		
			Cmm		
	C 570		P21 50	Ø	Q2 130 JS6
			Cmm		<sup>+0,012</sup> <sub>-0,012</sub> Cmm
	F 338		P12 50	Ø	R2 32 F7
			Cmm		<sup>+0,05</sup> <sub>+0,025</sub> µm
	f1 0,5		P22 50	T2	6
			Cmm		Pg
x3	Y3 2x3 Ø33	x4	Y4 2x3 Ø21	U2	73 min
			Cmm		Pg
	G3 170	⊕	w4 0,2		
			Cr		
//	g3 0,03	x5	Y5 2 M10x17		
			Cr		
▱	g 0,03	x7	Y7 2x2 M10x15		
			Cr		
▱	g4 0,03		S7 22		
			Cr		
⊥	g5 0,05	x8	Y8 2 M8		
			Cr		
	H 38	x1	Y1 2x4 M10x20		
			Cr		
	L 34	at	Z1 45°		
			Cr		
	K21 63,5	on PCD	S1 165		
			Cr		
	K22 23	x6	Y6 2x2 G1/8		
			Cr		
	Y9 M8x1,0		J1 21		
			Cr		
	M 292		J2 21		
			Cr		
	H3 16,5		K11 63,5		
			Cr		
			K12 23		
			Cr		

	Line	Stiffness
Torsional stiffness (Nm/arcmin)	1	40
	2	40
Radial stiffness (N/µm)	1	174 *
	2	175 *

Noise level	
@1500 rpm input (dB(A))	67.0

No-load input torque	
Line 1	0,2 Nm
Line 2	0,2 Nm

Date: 22/04/2026 Visa: C DE MIRANDA  
 Version: C

Product images are for illustrative purposes only.