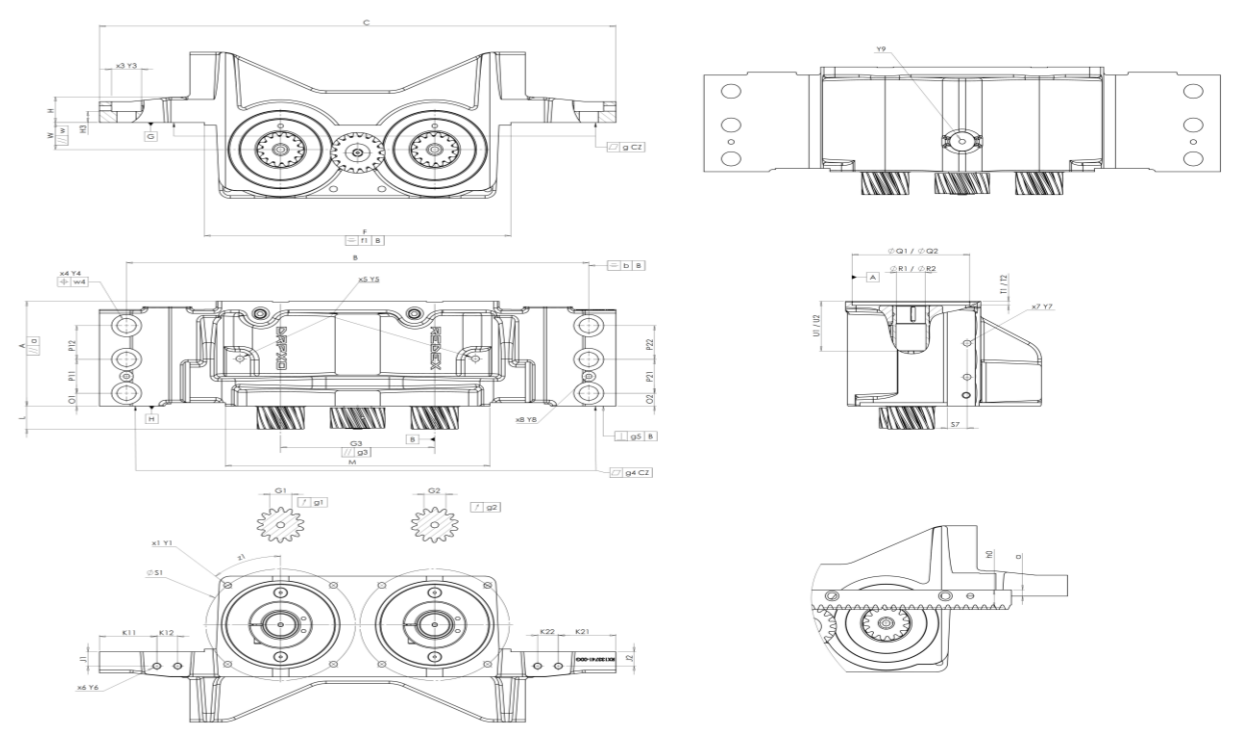


CUSTOMER: **DMG MORI** CUSTOMER ORDER REF:   
 DISTRIBUTOR: **REDEX ORDER REF: 220411**  
 DESIGNATION: **DRPX0+M.10.3.XH.V1.22/32** SERIAL NUMBER: **910452**  
 CODE: **RX134606-03** MOTOR FLANGE CODE:

EXTERNAL DIMENSIONS & INTERFACES: SN: **910452**



Pour la mise en service de l'appareil, se référer au User Manual DRP (182/027)

SPECIFIC REMARKS:  
\*Akzeptiert gemäß Redex Abweichung RX15307

OUTPUT PINION				
Pinion 1		E3704		
Span dimension over 3 teeth				
G1	23,466	<sup>-0,071</sup> / <sub>-0,082</sub>	Cmm	23.384
g1	0,021		Di	0.02
Pinion 2		E3731		
Span dimension over 3 teeth				
G2	23,466	<sup>-0,071</sup> / <sub>-0,082</sub>	Cmm	23.384
g2	0,021		Di	0.02
Height setting				
h0	26		Di	25.985
a	9.075		Di	9.068

HOUSING		HOUSING		MOTOR FLANGE	
requirement	measure	requirement	measure	requirement	measure
	F0914	G	W 40	Q1 130 JS6	130.01
			w 0,03	R1 32 F7	32.03
H	A 155		O1 19	T1 6	5.99
	a 0,03		O2 19	U1 73 min	73.04
	B 510		P11 50		
	b 0,5		P21 50	Q2 130 JS6	130.011
	C 570		P22 50	R2 32 F7	32.04
	F 338			T2 6	6.03
	f1 0,5		x4 Y4 2x3 Ø21	U2 73 min	73.2
	x3 Y3 2x3 Ø33		w4 0,2		
	G3 170		x5 Y5 2 M10x17		
	g3 0,03		x7 Y7 2x2 M10x15		
	g 0,03		S7 22		
	g4 0,03		x8 Y8 2 M8		
	g5 0,05		x1 Y1 2x4 M10x20		
	H 38		at Z1 45°		
	L 34		on PCD S1 165		
	K21 63,5		x6 Y6 2x2 G1/8		
	K22 23		J1 21		
	Y9 M8x1,0		J2 21		
	M 292		K11 63,5		
	H3 16,5		K12 23		

	Line	Stiffness
Torsional stiffness (Nm/arcmin)	1	40
	2	40
Radial stiffness (N/µm)	1	158
	2	168 *

Noise level	
@1500 rpm input (dB(A))	67.0

No-load input torque	
Line 1	0,2 Nm
Line 2	0,2 Nm

Date: **22/04/2026** Visa: **C DE MIRANDA**  
 Version: **C**

Product images are for illustrative purposes only.