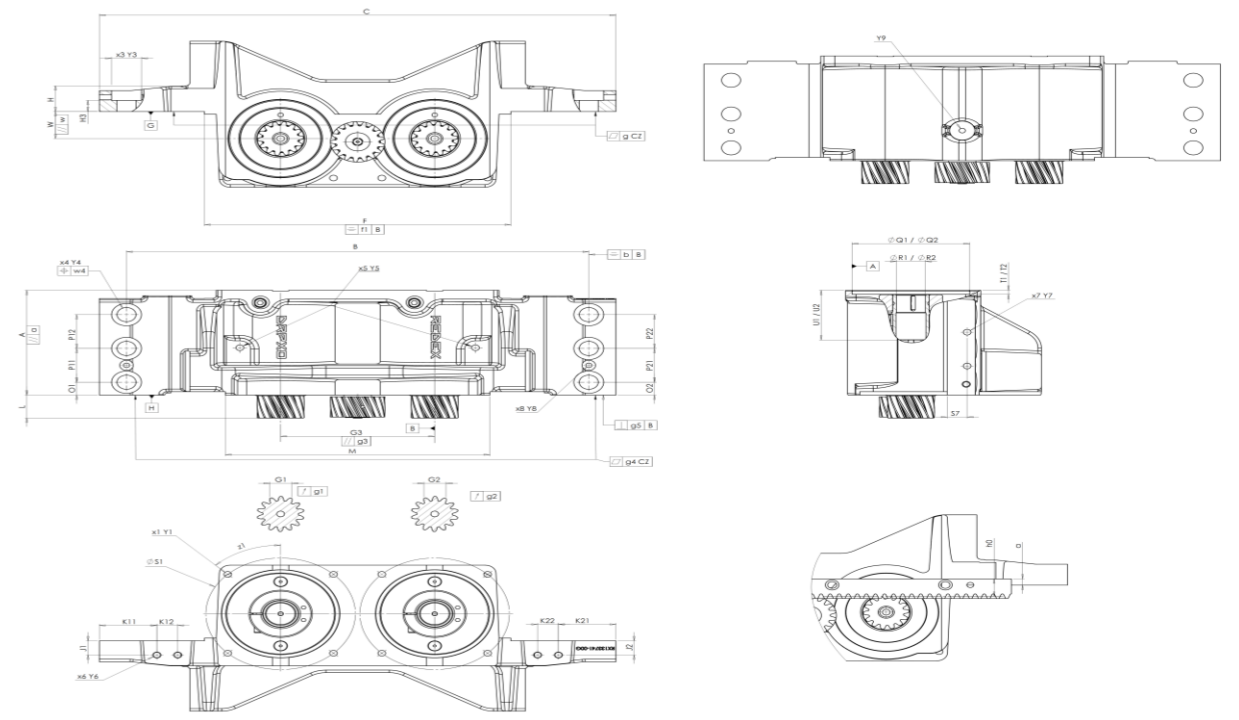


CUSTOMER: DMG MORI CUSTOMER ORDER REF:  
 DISTRIBUTOR: REDEX ORDER REF: 220411  
 DESIGNATION: DRPX0+M.10.3.XH.V1.22/32 SERIAL NUMBER: 910451  
 CODE: RX134606-03 MOTOR FLANGE CODE:

EXTERNAL DIMENSIONS & INTERFACES: SN: 910451



Pour la mise en service de l'appareil, se référer au User Manual DRP (182/027)

General tolerance: Js13 Cmm Automatic / manual coordinate-measuring machine μm Micrometer Cr Calliper rule Di Dial indicator Pg Plug gauge

SPECIFIC REMARKS:  
\*Akzeptiert gemäß Redex Abweichung RX15307

OUTPUT PINION				
Pinion 1		E3728		
Span dimension over 3 teeth				
G1	23,466	<sup>-0,071</sup> / <sub>-0,082</sub>	Cmm	23.385
g1	0,021		Di	0.02
Pinion 2		E3707		
Span dimension over 3 teeth				
G2	23,466	<sup>-0,071</sup> / <sub>-0,082</sub>	Cmm	23.385
g2	0,021		Di	0.02
Height setting				
h0	26		Di	25.985
a	9.075		Di	9.0697

HOUSING				HOUSING				MOTOR FLANGE								
requirement	measure			requirement	measure			requirement	measure							
	F3360	G		W	40	<sup>+0,025</sup> / <sub>-0,025</sub>	Cmm	40.006	A	Ø	Q1	130 JS6	<sup>+0,012</sup> / <sub>-0,012</sub>	Cmm	130.011	
H	A	155	Cmm	154.986	//	w	0,03	Cmm	0.006	Ø	R1	32 F7	<sup>+0,05</sup> / <sub>+0,025</sub>	μm	32.04	
	a	0,03	Cmm	0.012		O1	19	Cmm	19		T1	6	Pg	6.008		
	B	510	Cmm	510		O2	19	Cmm	19		U1	73 min	Pg	73.35		
	b	0,5	Cmm	0.13		P11	50	Cmm	50							
	C	570	Cr	570		P21	50	Cmm	50	Ø	Q2	130 JS6	<sup>+0,012</sup> / <sub>-0,012</sub>	Cmm	130.012	
	F	338	<sup>0</sup> / <sub>-0,5</sub>	Cr	337.661		P12	50	Cmm	50	Ø	R2	32 F7	<sup>+0,05</sup> / <sub>+0,025</sub>	μm	32.04
	f1	0,5	Cr	0.18		P22	50	Cmm	50		T2	6	Pg	6.001		
x3	Y3	2x3 Ø33	Cr	2x3 Ø33	x4	Y4	2x3 Ø21	Cmm	2x3 Ø21		U2	73 min	Pg	73.31		
	G3	170	Cmm	169.999	⊕	w4	0,2	Cr	0,2							
//	g3	0,03	Cmm	0.002	x5	Y5	2 M10x17	Cr	2 M10x17							
▱	g	0,03	Cmm	0.013	x7	Y7	2x2 M10x15	Cr	2x2 M10x15							
▱	g4	0,03	Cmm	0.005		S7	22	Cr	22							
⊥	g5	0,05	Cmm	0.002	x8	Y8	2 M8	Cr	2 M8							
	H	38	Cr	38	x1	Y1	2x4 M10x20	Cr	2x4 M10x20							
	L	34	<sup>+0,55</sup> / <sub>-0,4</sub>	Cmm	34,28/34,34	at	Z1	45°	Cr	45°						
	K21	63,5	Cr	63,5	on PCD	S1	165	Cr	165							
	K22	23	Cr	23	x6	Y6	2x2 G1/8	Cr	2x2 G1/8							
	Y9	M8x1,0	Pg	M8x1,0		J1	21	Cr	21							
	M	292	Cmm	292		J2	21	Cr	21							
	H3	16,5	Cr	16,5		K11	63,5	Cr	63,5							
						K12	23	Cr	23							

	Line	Stiffness
Torsional stiffness (Nm/arcmin)	1	40
	2	40
Radial stiffness (N/μm)	1	172 *
	2	158

Noise level	
@1500 rpm input (dB(A))	64.5

No-load input torque	
Line 1	0,2 Nm
Line 2	0,2 Nm

Date: 22/04/2026 Visa: C DE MIRANDA  
 Version: C

Product images are for illustrative purposes only.