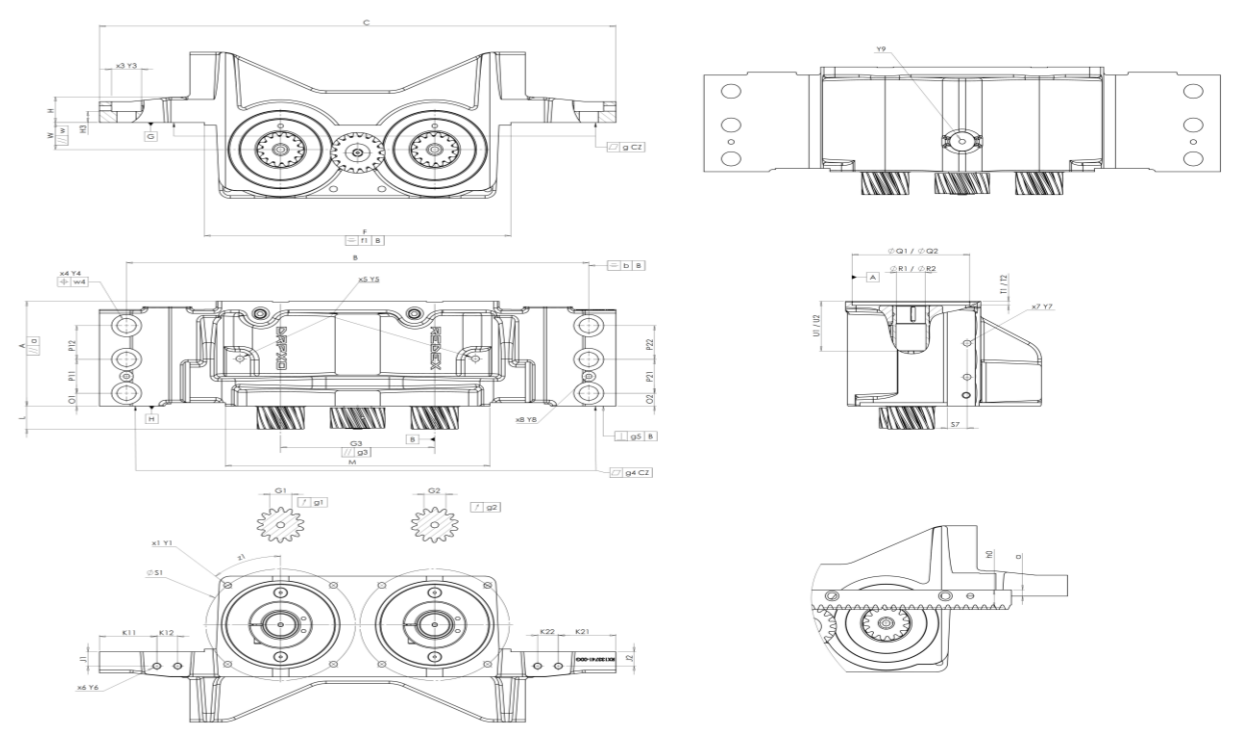


CUSTOMER: DMG CUSTOMER ORDER REF:
 DISTRIBUTOR: REDEX ORDER REF: 220282
 DESIGNATION: DRPX0+M.10.3.XH.V1.22/32 SERIAL NUMBER: 910412
 CODE: RX134606-03 MOTOR FLANGE CODE:

EXTERNAL DIMENSIONS & INTERFACES:
SN: 910412



Pour la mise en service de l'appareil, se référer au User Manual DRP (182/027)

SPECIFIC REMARKS:

OUTPUT PINION				
Pinion 1		E3724		
Span dimension over 3 teeth				
G1	23,466	^{-0,071} / _{-0,082}	Cmm	23.39
g1	0,021		Di	0.02
Pinion 2		E3718		
Span dimension over 3 teeth				
G2	23,466	^{-0,071} / _{-0,082}	Cmm	23.39
g2	0,021		Di	0.02
Height setting				
h0	26		Di	25.985
a	9.075		Di	9.1

HOUSING		HOUSING		MOTOR FLANGE	
requirement	measure	requirement	measure	requirement	measure
	F3358	G	W 40	A Ø	Q1 130 JS6
			^{+0,025} / _{-0,025} Cmm		^{+0,012} / _{-0,012} Cmm
H	A 155	//	w 0,03	Ø	R1 32 F7
	a 0,03		Cmm		^{+0,05} / _{+0,025} µm
	B 510		Cmm	T1	6
	b 0,5		Cmm	U1	73 min
	C 570		Cmm		Pg
	Cr		50		6.041
	F 338		Cmm	Ø	Q2 130 JS6
	⁰ / _{-0,5} Cr		50	Ø	^{+0,012} / _{-0,012} Cmm
	f1 0,5		Cmm		^{+0,05} / _{+0,025} µm
	Cr		50	T2	6
x3	Y3 2x3 Ø33		Cmm	U2	73 min
	Cr		2x3 Ø33		Pg
	G3 170		Cmm		73.42
	Cmm		169.982		
//	g3 0,03	x4	Y4 2x3 Ø21		
	Cmm		Cmm		
	0.003	⊕	w4 0,2		
▱	g 0,03	x5	Y5 2 M10x17		
	Cmm		Cr		
	0.01	x7	Y7 2x2 M10x15		
▱	g4 0,03		Cr		
	Cmm		2x2 M10x15		
⊥	g5 0,05		Cr		
	Cmm		22		
	0.008	x8	Y8 2 M8		
	Cr		Cr		
	38	x1	Y1 2x4 M10x20		
	Cr		Cr		
	38	at	Z1 45°		
	Cr		Cr		
	34	on PCD	S1 165		
	^{+0,55} / _{-0,4} Cmm		Cr		
	34,14/34,203	x6	Y6 2x2 G1/8		
	Cr		Cr		
	63,5		2x2 G1/8		
	Cr		Cr		
	23		21		
	Cr		Cr		
	23		21		
	Pg		Cr		
	M8x1,0		21		
	Pg		Cr		
	M8x1,0		21		
	Pg		Cr		
	292		63,5		
	Cmm		Cr		
	292		23		
	Cr		Cr		
	16,5		23		
	Cr		Cr		
	16,5		23		
	Cr		23		

	Line	Stiffness
Torsional stiffness (Nm/arcmin)	1	40
	2	40
Radial stiffness (N/µm)	1	162
	2	154

Noise level	
@1500 rpm input (dB(A))	66.5

No-load input torque	
Line 1	0,2 Nm
Line 2	0,2 Nm

Date: 18/03/2026
 Version: C
 Visa: C DE MIRANDA

Product images are for illustrative purposes only.