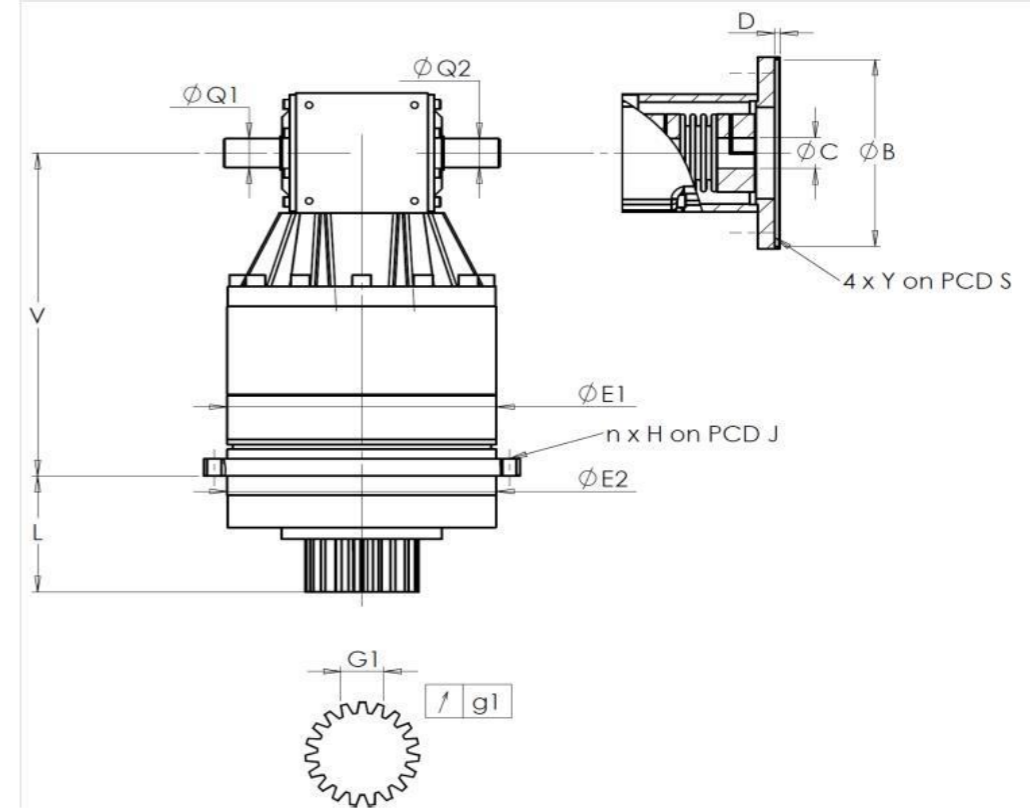


CUSTOMER: **YONG JU PRECISION** CUSTOMER ORDER REF: ***RX113323T 07/11/24**
 DISTRIBUTOR: **REDEX ORDER REF: 219704**
 DESIGNATION: **KRP2.R1.31.4.H** SERIAL NUMBER: **910389**
 CODE: **RX133930-12** MOTOR FLANGE CODE:

EXTERNAL DIMENSIONS & INTERFACES: SN: **910389**



For the installation, please refer to User Manual KRP (182/008)

SPECIFIC REMARKS:

General tolerance: Js13 Cmm Automatic / manual coordinate-measuring machine µm Micrometer Cr Calliper rule Di Dial indicator Pg Plug gauge

HOUSING				OUTPUT PINION				MOTOR FLANGE			
requirement	measure			requirement	measure			requirement	measure		
	J2455				J3379				-		
E1	212h7 ⁰ _{-0,046} µm	211,97		Span dimension over 4 teeth				Ø	B		µm
E2	200h7 ⁰ _{-0,046} µm	199,99		G1	44,27 ⁰ _{-0,03} Cmm	44,26		Ø	C		µm
n x H on PCD J	12 Ø9 on PCD 233	Cr	12 Ø9 on PCD 233	g1	0,022	Di	0,02		D		Cr
V	289	µm	289,37	No-load input torque				Ø	S1		Cr
L	94	µm	93,96	Line 1		1,2 Nm		Ø	Y1		Pg
Ø Q1	25 ^{+0,009} _{-0,004} µm	25		Noise level				@1600 rpm input (dB(A))			
Ø Q2	25 ^{+0,009} _{-0,004} µm	25,005			Line	Stiffness		69,5			
				Torsional stiffness (Nm/arcmin)	1	243,75					
				Radial stiffness (N/µm)	1	594					

Date: **23/01/2026**

Visa: **P.Vaslier**

Version: **A**

Product images are for illustrative purposes only.