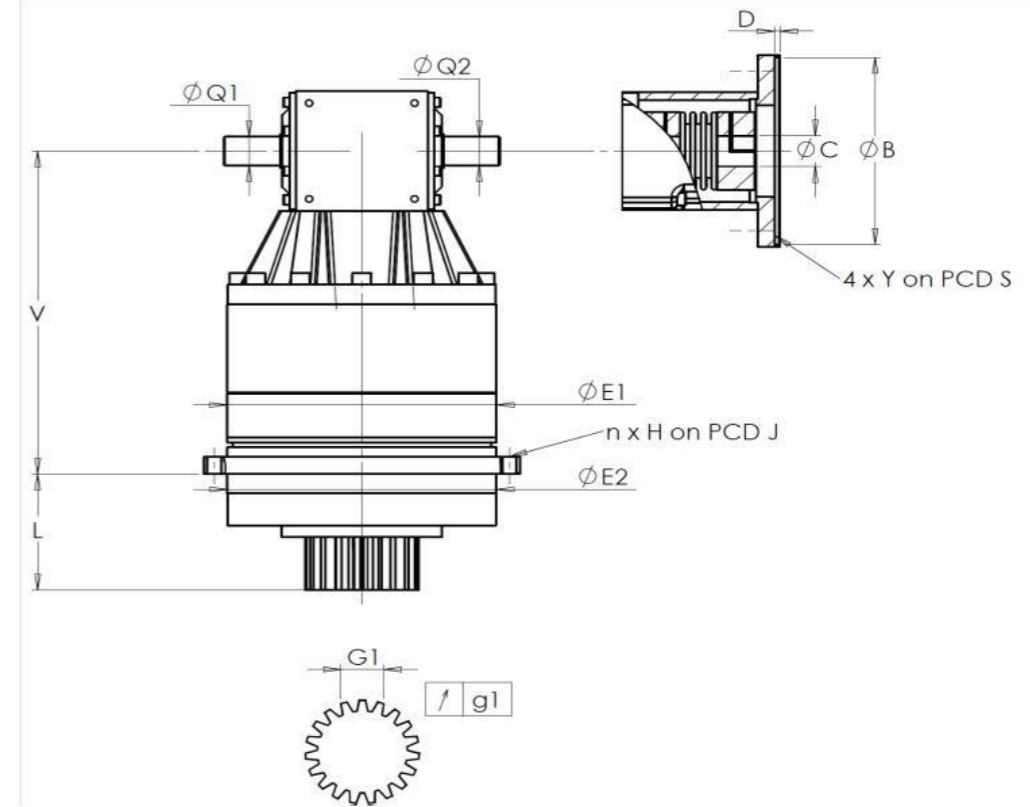


CUSTOMER: **YONG JU PRECISION** CUSTOMER ORDER REF: ***RX113323T 07/11/24**
 DISTRIBUTOR: **REDEX ORDER REF: 219704**
 DESIGNATION: **KRP2.R1.31.4.H** SERIAL NUMBER: **910388**
 CODE: **RX133930-12** MOTOR FLANGE CODE:

EXTERNAL DIMENSIONS & INTERFACES: SN: **910388**



For the installation, please refer to User Manual KRP (182/008)

SPECIFIC REMARKS:

General tolerance: Js13 Cmm Automatic / manual coordinate-measuring machine µm Micrometer Cr Calliper rule Di Dial indicator Pg Plug gauge

HOUSING				OUTPUT PINION				MOTOR FLANGE			
requirement		measure		requirement		measure		requirement		measure	
		J2462				J3655				-	
E1	212h7 ⁰ _{-0,046} µm		211,96	Span dimension over 4 teeth				Ø	B		µm
E2	200h7 ⁰ _{-0,046} µm		199,98	G1	44,27 ⁰ _{-0,03} Cmm		44,255	Ø	C		µm
n x H on PCD J	12 Ø9 on PCD 233	Cr	12 Ø9 on PCD 233	g1	0,022	Di	0,02		D		Cr
V	289	µm	289,32	No-load input torque				Ø	S1		Cr
L	94	µm	93,99	Line 1		1,4 Nm		Ø	Y1		Pg
Ø	Q1	25 ^{+0,009} _{-0,004} µm	24,996	Noise level						@1600 rpm input (dB(A))	70,0
Ø	Q2	25 ^{+0,009} _{-0,004} µm	25,005	Torsional stiffness (Nm/arcmin)		1	243,75				
				Radial stiffness (N/µm)		1	614				

Date: **23/01/2026**

Visa: **P.Vaslier**

Version: **A**

Product images are for illustrative purposes only.