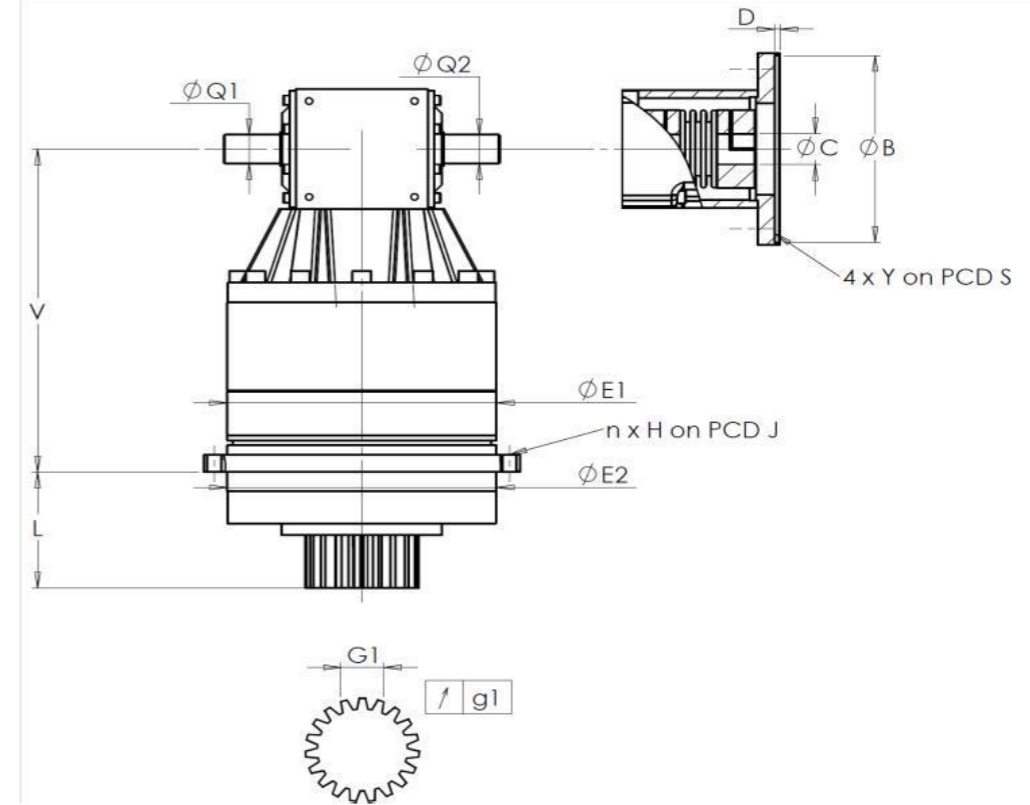


CUSTOMER: **YONG JU PRECISION** CUSTOMER ORDER REF: **\*RX113324T 07/11/24**  
 DISTRIBUTOR: **REDEX ORDER REF: 219705**  
 DESIGNATION: **KRP2.R1.31.4.H** SERIAL NUMBER: **910355**  
 CODE: **RX133930-12** MOTOR FLANGE CODE:

EXTERNAL DIMENSIONS & INTERFACES: SN: **910355**



For the installation, please refer to User Manual KRP (182/008)

SPECIFIC REMARKS:

General tolerance: Js13 *Cmm* Automatic / manual coordinate-measuring machine  $\mu m$  Micrometer *Cr* Calliper rule *Di* Dial indicator *Pg* Plug gauge

HOUSING					OUTPUT PINION				MOTOR FLANGE			
requirement		measure			requirement		measure		requirement		measure	
		J2443					J3371				-	
E1	212h7 <sup>0</sup> <sub>-0,046</sub>	$\mu m$	211.98	Span dimension over 4 teeth				$\emptyset$	B	$\mu m$		
E2	200h7 <sup>0</sup> <sub>-0,046</sub>	$\mu m$	199.98	G1	44,27 <sup>0</sup> <sub>-0,03</sub>	<i>Cmm</i>	44.253	$\emptyset$	C	$\mu m$		
n x H on PCD J	12 $\emptyset$ 9 on PCD 233	<i>Cr</i>	12 $\emptyset$ 9 on PCD 233	g1	0,022	<i>Di</i>	0.01	$\emptyset$	D	<i>Cr</i>		
V	289	$\mu m$	289.34	No-load input torque				$\emptyset$	S1	<i>Cr</i>		
L	94	$\mu m$	93.93	Line 1		1,2 Nm		$\emptyset$	Y1	<i>Pg</i>		
$\emptyset$ Q1	25 <sup>+0,009</sup> <sub>-0,004</sub>	$\mu m$	24.997	Noise level								
$\emptyset$ Q2	25 <sup>+0,009</sup> <sub>-0,004</sub>	$\mu m$	24.998			Line	Stiffness	@1600 rpm input (dB(A))		67.5		
				Torsional stiffness (Nm/arcmin)		1	243,75					
				Radial stiffness (N/ $\mu m$ )		1	586					

Date: **31/12/2025**

Visa: **C DE MIRANDA**

Version: **A**

Product images are for illustrative purposes only.