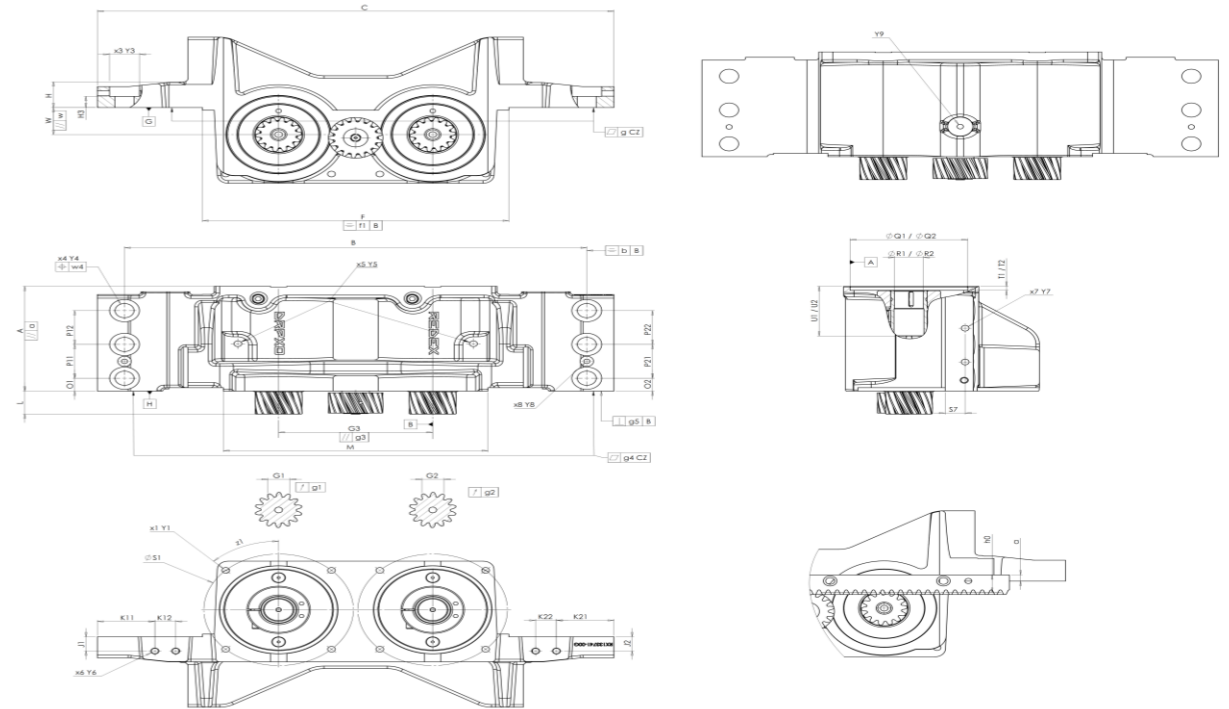


CUSTOMER: **DMG** CUSTOMER ORDER REF:
 DISTRIBUTOR: REDEX ORDER REF: **220363**
 DESIGNATION: **DRPX0+M.10.3.XH.V1.22/32** SERIAL NUMBER: **910299**
 CODE: **RX134606-03** MOTOR FLANGE CODE:

EXTERNAL DIMENSIONS & INTERFACES:

SN: **910299**



Pour la mise en service de l'appareil, se référer au User Manual DRP (182/027)

SPECIFIC REMARKS:

General tolerance: Js13 **Cmm** Automatic / manual coordinate-measuring machine **µm** Micrometer **Cr** Calliper rule **Di** Dial indicator **Pg** Plug gauge

HOUSING				HOUSING				MOTOR FLANGE						
requirement	measure			requirement	measure			requirement	measure					
	F909	G		W	40 ^{+0,025} _{-0,025}	Cmm	40.002	A	∅	Q1	130 JS6 ^{+0,012} _{-0,012}	Cmm	130.011	
H	A	155	Cmm	154.989	//	w	0,03	Cmm	0.01	∅	R1	32 F7 ^{+0,05} _{+0,025}	µm	32.04
	a	0,03	Cmm	0.01		O1	19	Cmm	19		T1	6	Pg	6
	B	510	Cmm	510		O2	19	Cmm	19		U1	73 min	Pg	73.39
	b	0,5	Cmm	0.12		P11	50	Cmm	50					
	C	570	Cr	570		P21	50	Cmm	50	∅	Q2	130 JS6 ^{+0,012} _{-0,012}	Cmm	130.011
	F	338 ⁰ _{-0,5}	Cr	337.657		P12	50	Cmm	50	∅	R2	32 F7 ^{+0,05} _{+0,025}	µm	32.04
	f1	0,5	Cr	0.5		P22	50	Cmm	50		T2	6	Pg	6.02
	x3	Y3 2x3 ∅33	Cr	2x3 ∅33	x4	Y4 2x3 ∅21	Cmm	2x3 ∅21		U2	73 min	Pg	73.2	
	G3	170	Cmm	170.009	⊕	w4	0,2	Cr	0,2					
	//	g3	0,03	Cmm	0.004	x5	Y5 2 M10x17	Cr	2 M10x17					
	▱	g	0,03	Cmm	0.013	x7	Y7 2x2 M10x15	Cr	2x2 M10x15					
	▱	g4	0,03	Cmm	0.005		S7	22	Cr	22				
	⊥	g5	0,05	Cmm	0.005	x8	Y8 2 M8	Cr	2 M8					
	H	38	Cr	38	x1	Y1 2x4 M10x20	Cr	2x4 M10x20						
	L	34 ^{+0,55} _{-0,4}	Cmm	34,034/34,34	at	Z1	45°	Cr	45°					
	K21	63,5	Cr	63,5	on PCD	S1	165	Cr	165					
	K22	23	Cr	23	x6	Y6 2x2 G1/8	Cr	2x2 G1/8						
	Y9	M8x1,0	Pg	M8x1,0		J1	21	Cr	21					
	M	292	Cmm	292		J2	21	Cr	21					
	H3	16,5	Cr	16,5		K11	63,5	Cr	63,5					
						K12	23	Cr	23					

		Line	Stiffness
Torsional stiffness (Nm/arcmin)	1	40	
	2	40	
Radial stiffness (N/µm)	1	136	
	2	147	

Noise level	
@1500 rpm input (dB(A))	69.0

No-load input torque	
Line 1	0,2 Nm
Line 2	0,2 Nm

Date: **20/03/2026**

Visa: **C DE MIRANDA**

Version: **C**

Product images are for illustrative purposes only.