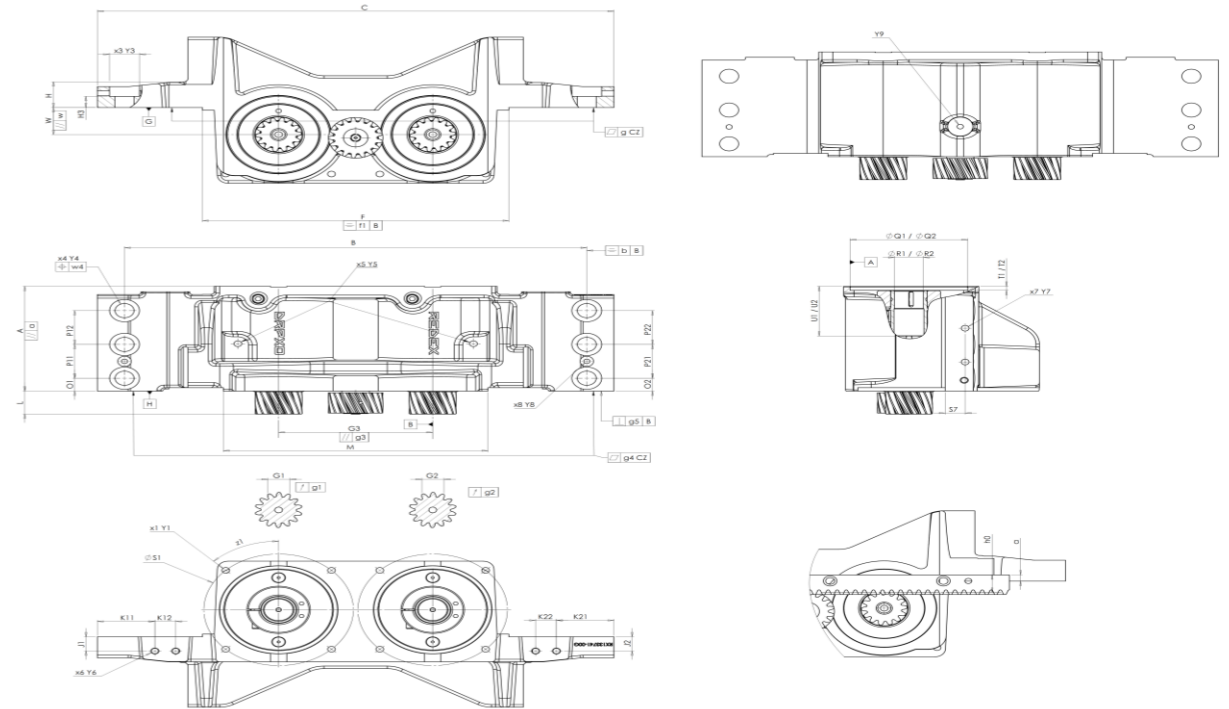


CUSTOMER: **DMG** CUSTOMER ORDER REF:
 DISTRIBUTOR: REDEX ORDER REF: **220363**
 DESIGNATION: **DRPX0+M.10.3.XH.V1.22/32** SERIAL NUMBER: **910297**
 CODE: **RX134606-03** MOTOR FLANGE CODE:

EXTERNAL DIMENSIONS & INTERFACES: SN: **910297**



Pour la mise en service de l'appareil, se référer au User Manual DRP (182/027)

General tolerance: Js13 **Cmm** Automatic / manual coordinate-measuring machine **µm** Micrometer **Cr** Calliper rule **Di** Dial indicator **Pg** Plug gauge

HOUSING				HOUSING				MOTOR FLANGE						
requirement	measure			requirement	measure			requirement	measure					
	F912	G		W	40 ^{+0,025} _{-0,025}	Cmm	40.02	A	∅	Q1	130 JS6 ^{+0,012} _{-0,012}	Cmm	130.012	
H	A	155	Cmm	155.012	//	w	0,03	Cmm	0.001	∅	R1	32 F7 ^{+0,05} _{+0,025}	µm	32.04
	a	0,03	Cmm	0.012		O1	19	Cmm	19		T1	6	Pg	6.009
	B	510	Cmm	510		O2	19	Cmm	19		U1	73 min	Pg	73.31
	b	0,5	Cmm	0.14		P11	50	Cmm	50					
	C	570	Cr	570		P21	50	Cmm	50	∅	Q2	130 JS6 ^{+0,012} _{-0,012}	Cmm	130.012
	F	338 ⁰ _{-0,5}	Cr	337.65		P12	50	Cmm	50	∅	R2	32 F7 ^{+0,05} _{+0,025}	µm	32.04
	f1	0,5	Cr	0.5		P22	50	Cmm	50		T2	6	Pg	6.017
	x3	Y3 2x3 ∅33	Cr	2x3 ∅33	x4	Y4 2x3 ∅21	Cmm	2x3 ∅21		U2	73 min	Pg	73.36	
	G3	170	Cmm	169.995	⊕	w4	0,2	Cr	0,2					
	//	g3	0,03	Cmm	0.003	x5	Y5 2 M10x17	Cr	2 M10x17					
	▱	g	0,03	Cmm	0.015	x7	Y7 2x2 M10x15	Cr	2x2 M10x15					
	▱	g4	0,03	Cmm	0.007		S7	22	Cr	22				
	⊥	g5	0,05	Cmm	0.005	x8	Y8 2 M8	Cr	2 M8					
	H	38	Cr	38	x1	Y1 2x4 M10x20	Cr	2x4 M10x20						
	L	34 ^{+0,55} _{-0,4}	Cmm	34,32/34,35	at	Z1 45°	Cr	45°						
	K21	63,5	Cr	63,5	on PCD	S1 165	Cr	165						
	K22	23	Cr	23	x6	Y6 2x2 G1/8	Cr	2x2 G1/8						
	Y9	M8x1,0	Pg	M8x1,0		J1 21	Cr	21						
	M	292	Cmm	292		J2 21	Cr	21						
	H3	16,5	Cr	16,5		K11 63,5	Cr	63,5						
						K12 23	Cr	23						

SPECIFIC REMARKS:

OUTPUT PINION			
Pinion 1		E3714	
Span dimension over 3 teeth			
G1	23,466 ^{-0,071} _{-0,082}	Cmm	23.395
g1	0,021	Di	0.015
Pinion 2		E3720	
Span dimension over 3 teeth			
G2	23,466 ^{-0,071} _{-0,082}	Cmm	23.39
g2	0,021	Di	0.015
Height setting			
h0	26	Di	25.985
a	9.075	Di	9.0665

	Line	Stiffness
Torsional stiffness (Nm/arcmin)	1	40
	2	40
Radial stiffness (N/µm)	1	162
	2	158

Noise level	
@1500 rpm input (dB(A))	67.0

No-load input torque	
Line 1	0,2 Nm
Line 2	0,2 Nm

Date: **20/03/2026**

Visa: **C DE MIRANDA**

Version: **C**

Product images are for illustrative purposes only.



1, Rue Paul De Fontenay
 F- 45210 FERRIERES
 www.redex-group.com

Tel: +33 2 38 94 42 00
 Fax: +33 2 38 94 42 99
 Email: info@redex-group.com



1, Rue Paul De Fontenay
 F- 45210 FERRIERES
 www.redex-group.com

Tel: +33 2 38 94 42 00
 Fax: +33 2 38 94 42 99
 Email: info@redex-group.com