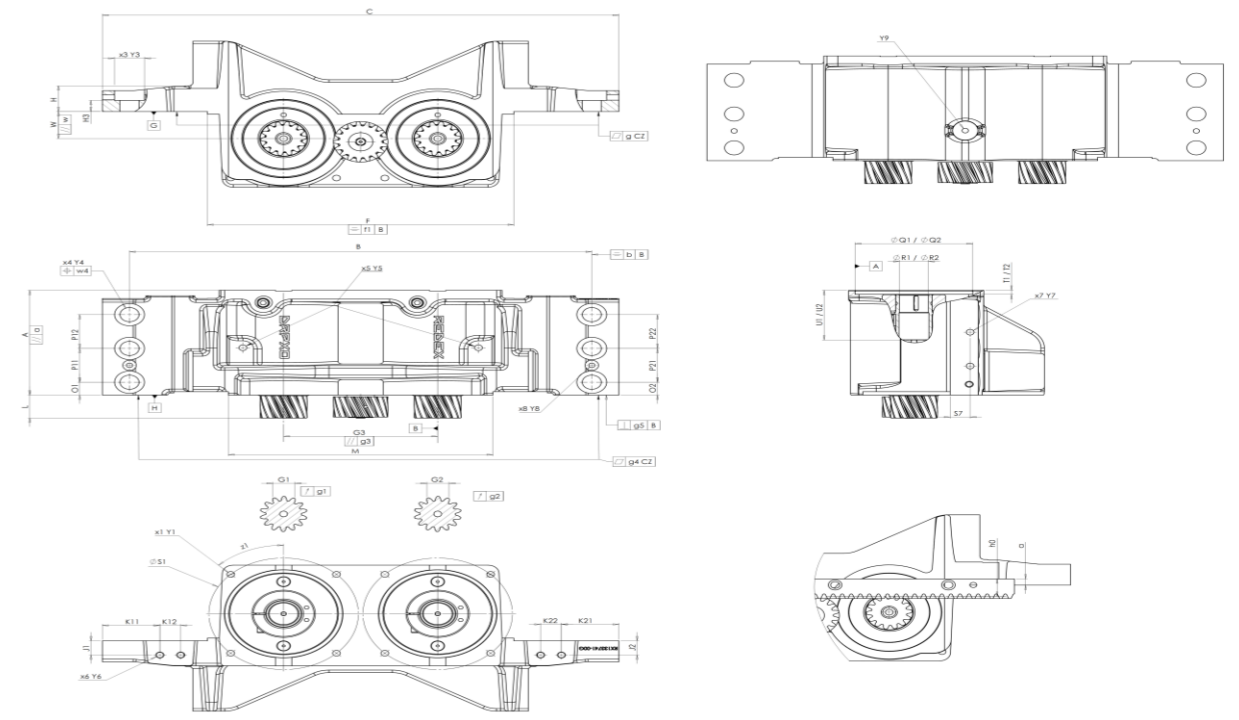


CUSTOMER: **DMG** CUSTOMER ORDER REF:   
 DISTRIBUTOR:  REDEX ORDER REF: **220363**  
 DESIGNATION: **DRPX0+M.10.3.XH.V1.22/32** SERIAL NUMBER: **910296**  
 CODE: **RX134606-03** MOTOR FLANGE CODE:

EXTERNAL DIMENSIONS & INTERFACES: SN: **910296**



Pour la mise en service de l'appareil, se référer au User Manual DRP (182/027)

General tolerance: Js13 Cmm Automatic / manual coordinate-measuring machine μm Micrometer Cr Calliper rule Di Dial indicator Pg Plug gauge

SPECIFIC REMARKS:

HOUSING				HOUSING				MOTOR FLANGE										
requirement		measure		requirement		measure		requirement		measure								
		F918		G	W	40 <sup>+0,025</sup> <sub>-0,025</sub>	Cmm	40.003	A	∅	Q1	130 JS6 <sup>+0,012</sup> <sub>-0,012</sub>	Cmm	130.012				
H	A	155	Cmm	154.985	//	w	0,03	Cmm	0.001	∅	R1	32 F7 <sup>+0,05</sup> <sub>+0,025</sub>	μm	32.04				
<b>OUTPUT PINION</b>					O1	19	Cmm	19		T1	6	Pg	6					
<b>Pinion 1</b> E3719					O2	19	Cmm	19		U1	73 min	Pg	73.26					
<b>Span dimension over 3 teeth</b>					P11	50	Cmm	50			∅	Q2	130 JS6 <sup>+0,012</sup> <sub>-0,012</sub>	Cmm	130.011			
	G1	23,466 <sup>-0,071</sup> <sub>-0,082</sub>	Cmm	23.387		P12	50	Cmm	50		∅	R2	32 F7 <sup>+0,05</sup> <sub>+0,025</sub>	μm	32.04			
	g1	0,021	Di	0.015		P22	50	Cmm	50		T2	6	Pg	6.025				
<b>Pinion 2</b> E3717				x3	Y3	2x3 ∅33	Cr	2x3 ∅33	x4	Y4	2x3 ∅21	Cmm	2x3 ∅21		U2	73 min	Pg	73.4
<b>Span dimension over 3 teeth</b>					G3	170	Cmm	170	⊕	w4	0,2	Cr	0,2					
	G2	23,466 <sup>-0,071</sup> <sub>-0,082</sub>	Cmm	23.387	//	g3	0,03	Cmm	0.006	x5	Y5	2 M10x17	Cr	2 M10x17				
	g2	0,021	Di	0.015	▭	g	0,03	Cmm	0.014	x7	Y7	2x2 M10x15	Cr	2x2 M10x15				
<b>Height setting</b>				▭	g4	0,03	Cmm	0.005		S7	22	Cr	22					
	h0	26	Di	25.985	⊥	g5	0,05	Cmm	0.009	x8	Y8	2 M8	Cr	2 M8				
	a	9.075	Di	9.084		H	38	Cr	38	x1	Y1	2x4 M10x20	Cr	2x4 M10x20				
						L	34 <sup>+0,55</sup> <sub>-0,4</sub>	Cmm	34,302/34,254	at	Z1	45°	Cr	45°				
						K21	63,5	Cr	63,5	on PCD	S1	165	Cr	165				
						K22	23	Cr	23	x6	Y6	2x2 G1/8	Cr	2x2 G1/8				
						Y9	M8x1,0	Pg	M8x1,0		J1	21	Cr	21				
						M	292	Cmm	292		J2	21	Cr	21				
						H3	16,5	Cr	16,5		K11	63,5	Cr	63,5				
											K12	23	Cr	23				

	Line	Stiffness
Torsional stiffness (Nm/arcmin)	1	40
	2	40
Radial stiffness (N/μm)	1	162
	2	149

Noise level	
@1500 rpm input (dB(A))	67.0

No-load input torque	
Line 1	0,2 Nm
Line 2	0,2 Nm

Date: 19/03/2026

Visa: C DE MIRANDA

Version: C

Product images are for illustrative purposes only.