

CUSTOMER: PREET **CUSTOMER ORDER REF:** *2425/24100 PREET

DISTRIBUTOR: **REDEX ORDER REF:** 219966

DESIGNATION: KRPX4.MX1.155.3.H.28/38 **SERIAL NUMBER:** 910208

CODE: RX136373-00 **MOTOR FLANGE CODE:** RX128581-01

For the installation, please refer to User Manual KRPX (182/010)

SPECIFIC REMARKS:

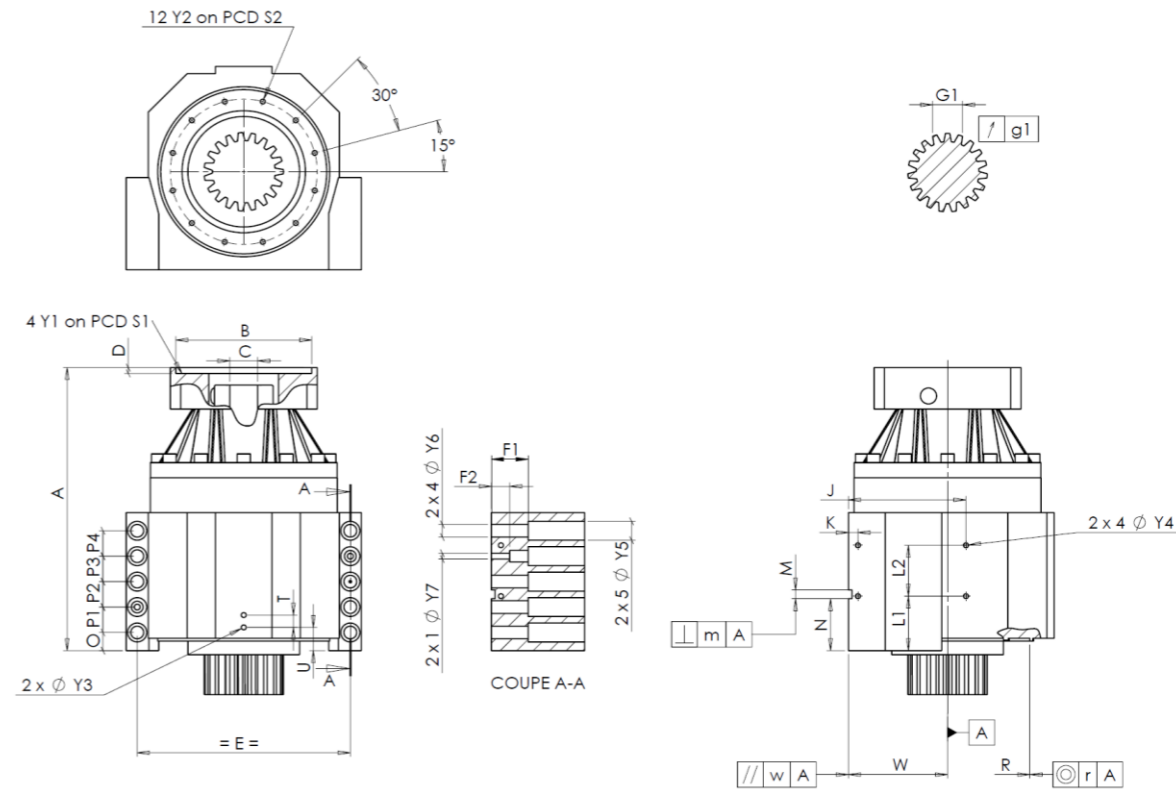
Product images are for illustrative purposes only.



1, Rue Paul De Fontenay
F- 45210 FERRIERES
www.redex-group.com

Tel: +33 2 38 94 42 00
Fax: +33 2 38 94 42 99
Email: info@redex-group.com

EXTERNAL DIMENSIONS & INTERFACES: **SN:** 910208



General tolerance: Js13 Cmm Automatic / manual coordinate-measuring machine μm Micrometer Cr Calliper rule Di Dial indicator Pg Plug gauge

HOUSING				HOUSING				MOTOR FLANGE			
requirement	measure	requirement	measure	requirement	measure	requirement	measure				
	J2583	L1	81	Cr	81						
Y2	M8x16	Pg	M8x16	L2	79	Cr	79				
∅ S2	234 ^{+0,1} _{-0,1}	Cr	234	J	185	Cr	185				
A	530,5	μm	531,33	K	15	Cr	15				
E	320	Cr	320	2 x 4∅ Y4	M10x13	Pg	M10x13				
O	20	Cr	20	F1	60	Cr	60				
P1	40	Cr	40	F2	30	Cr	30				
P2	40	Cr	40	2 x 1∅ Y7	14	μm	14				
P3	40	Cr	40	2 x 4∅ Y6	22	μm	22				
P4	40	Cr	40	2 x 5∅ Y5	33	μm	33				
T	20	Cr	20	M H6	15 ^{+0,011} ₀	Cmm	15				
U	37	Cr	37	⊥	m	0,05	Cmm	0,018			
2 x 1∅ Y3	M10x13	Pg	M10x13	N	72,5 ^{+0,1} _{-0,1}	Cmm	72,455				
∅ R	255 ^{+0,2} _{+0,1}	Cmm	255,119	A	W	158 ^{+0,035} _{-0,035}	Cmm	157,998			
⊙ r	0,1	Cmm	0,023	//	w	0,03	/A	Cmm	0,002		

OUTPUT PINION				Noise level	
	J5043	@1600 rpm input (dB(A))	60,0		
Span dimension over 3 teeth					
	G1	46,9 ⁰ _{-0,03}	Cmm	46,89	
	g1	0,022	Di	0,02	

Date: 25/03/2026

Visa: P.Vaslier

Version: A



1, Rue Paul De Fontenay
F- 45210 FERRIERES
www.redex-group.com

Tel: +33 2 38 94 42 00
Fax: +33 2 38 94 42 99
Email: info@redex-group.com