

CUSTOMER: PREET **CUSTOMER ORDER REF:** *2425/24100 PREET

DISTRIBUTOR: **REDEX ORDER REF:** 219966

DESIGNATION: KRPX4.MX1.155.3.H.28/38 **SERIAL NUMBER:** 910205

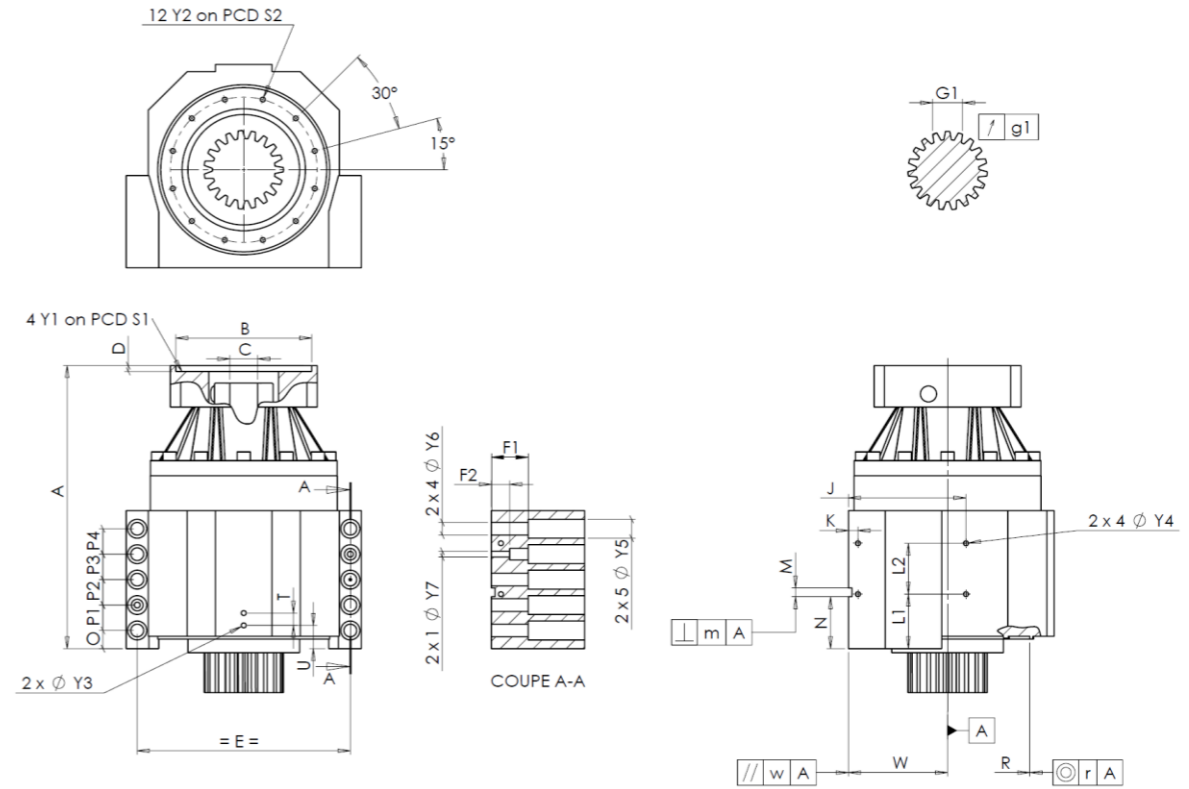
CODE: RX136373-00 **MOTOR FLANGE CODE:** RX128581-01

For the installation, please refer to User Manual KRPX (182/010)

SPECIFIC REMARKS:
 (1) Accepted according to Redex derogation 15

Product images are for illustrative purposes only.

EXTERNAL DIMENSIONS & INTERFACES: **SN:** 910205



General tolerance: Js13 Cmm Automatic / manual coordinate-measuring machine µm Micrometer Cr Calliper rule Di Dial indicator Pg Plug gauge

HOUSING				HOUSING				MOTOR FLANGE						
requirement		measure		requirement		measure		requirement		measure				
J2584				L1	81	Cr	81	Ø	B	181	µm	181		
Ø	Y2	M8x16	Pg	M8x16	L2	79	Cr	79	Ø	C	38	+0,05 +0,025	µm	38,05
	A	530,5	µm	531,34	J	185	Cr	185		D	8	Cr	8,5	
	E	320	Cr	320	K	15	Cr	15	Ø	S1	215	Cr	215	
	O	20	Cr	20	2 x 4Ø	Y4	M10x13	Pg	M10x13	Ø	Y1	M12	Pg	M12
	P1	40	Cr	40	F1	60	Cr	60	No-load input torque					
	P2	40	Cr	40	F2	30	Cr	30	Line 1		1 Nm			
	P3	40	Cr	40	2 x 1Ø	Y7	14	µm	14	Line		Stiffness		
	P4	40	Cr	40	2 x 4Ø	Y6	22	µm	22	Torsional stiffness (Nm/arcmin)		1 574,81		
	T	20	Cr	20	2 x 5Ø	Y5	33	µm	33	Radial stiffness (N/µm)		1 1363		
	U	37	Cr	37	M H6	15	+0,011 0	Cmm	15					
2 x 1Ø	Y3	M10x13	Pg	M10x13	m	0,05	Cr	0,016						
	R	255	+0,2 +0,1	Cmm	255,121	A								
◎	r	0,1	Cmm	0,009	//	w	0,03	/A	Cmm	0,019				

OUTPUT PINION				Noise level	
J5034				@1600 rpm input (dB(A))	
Span dimension over 3 teeth					
	G1	46,9	0 -0,03	Cmm	46,886
↗	g1	0,022	Di	0,01	

Date: 24/03/2026 **Version:** A

Visa: P.Vaslier