

**CUSTOMER:** PREET      **CUSTOMER ORDER REF:** \*2425/24100 PREET

**DISTRIBUTOR:**      **REDEX ORDER REF:** 219966

**DESIGNATION:** KRPX4.MX1.155.3.H.28/38      **SERIAL NUMBER:** 910203

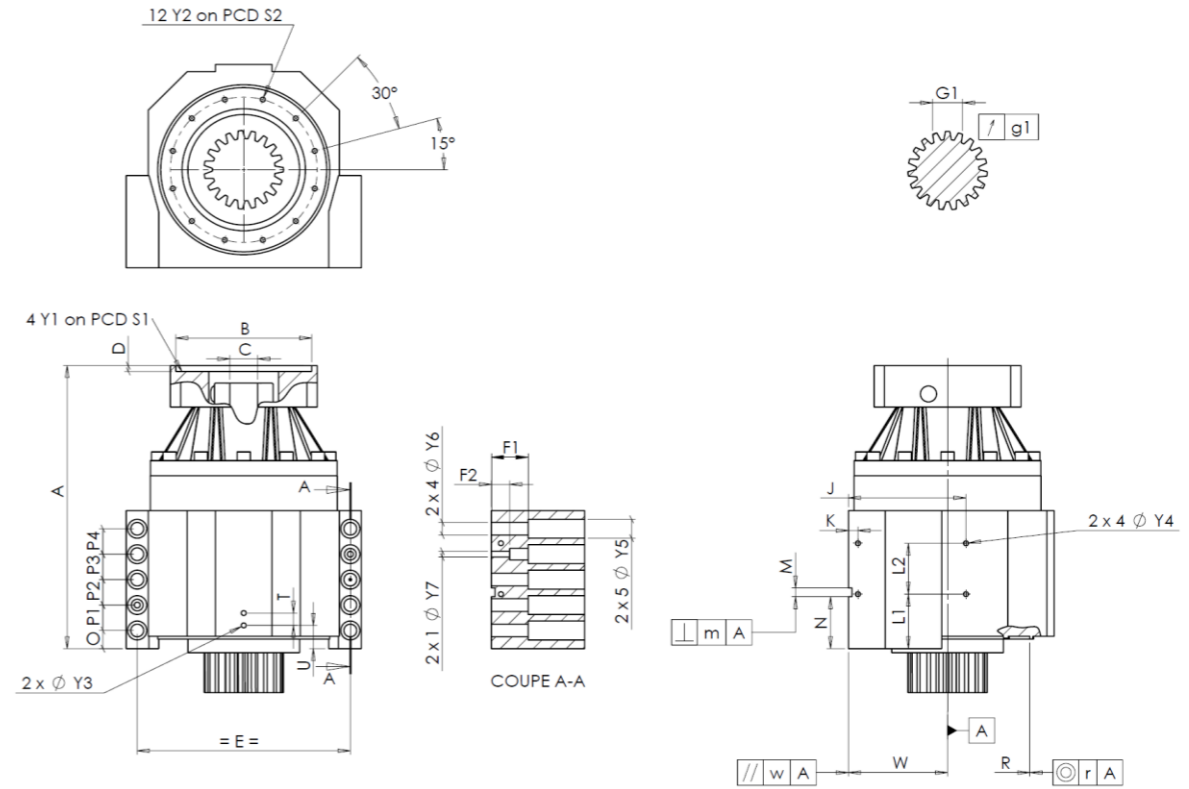
**CODE:** RX136373-00      **MOTOR FLANGE CODE:** RX128581-01

For the installation, please refer to User Manual KRPX (182/010)

**SPECIFIC REMARKS:**

Product images are for illustrative purposes only.

**EXTERNAL DIMENSIONS & INTERFACES:**      **SN:** 910203



General tolerance: Js13      Cmm      Automatic / manual coordinate-measuring machine      μm      Micrometer      Cr      Calliper rule      Di      Dial indicator      Pg      Plug gauge

HOUSING				HOUSING				MOTOR FLANGE			
requirement	measure	requirement	measure	requirement	measure	requirement	measure				
	J2541	L1	81	Cr	81						
Y2	M8x16	Pg	M8x16	L2	79	Cr	79				
∅ S2	234 <sup>+0,1</sup> <sub>-0,1</sub>	Cr	234	J	185	Cr	185				
A	530.5	μm	531.37	K	15	Cr	15				
E	320	Cr	320	2 x 4∅ Y4	M10x13	Pg	M10x13				
O	20	Cr	20	F1	60	Cr	60				
P1	40	Cr	40	F2	30	Cr	30				
P2	40	Cr	40	2 x 1∅ Y7	14	μm	14				
P3	40	Cr	40	2 x 4∅ Y6	22	μm	22				
P4	40	Cr	40	2 x 5∅ Y5	33	μm	33				
T	20	Cr	20	M H6	15 <sup>+0,011</sup> <sub>0</sub>	Cmm	15				
U	37	Cr	37	⊥ m	0,05	Cmm	0.011				
2 x 1∅ Y3	M10x13	Pg	M10x13	N	72,5 <sup>+0,1</sup> <sub>-0,1</sub>	Cmm	72.458				
∅ R	255 <sup>+0,2</sup> <sub>+0,1</sub>	Cmm	255.118	A	W	158 <sup>+0,035</sup> <sub>-0,035</sub>	Cmm	157.989			
⊙ r	0,1	Cmm	0.008	//	w	0,03	/A Cmm	0.001			

OUTPUT PINION				Noise level	
	J5040		@1600 rpm input (dB(A))		66.0
Span dimension over 3 teeth					
	G1	46,9 <sup>0</sup> <sub>-0,03</sub>	Cmm	46.884	
	g1	0,022	Di	0.01	

**Date:** 24/03/2026

**Version:** A

**Visa:** C DE MIRANDA