

CUSTOMER: PREET **CUSTOMER ORDER REF:** *2425/24100 PREET

DISTRIBUTOR: **REDEX ORDER REF:** 219966

DESIGNATION: KRPX4.MX1.155.3.H.28/38 **SERIAL NUMBER:** 910202

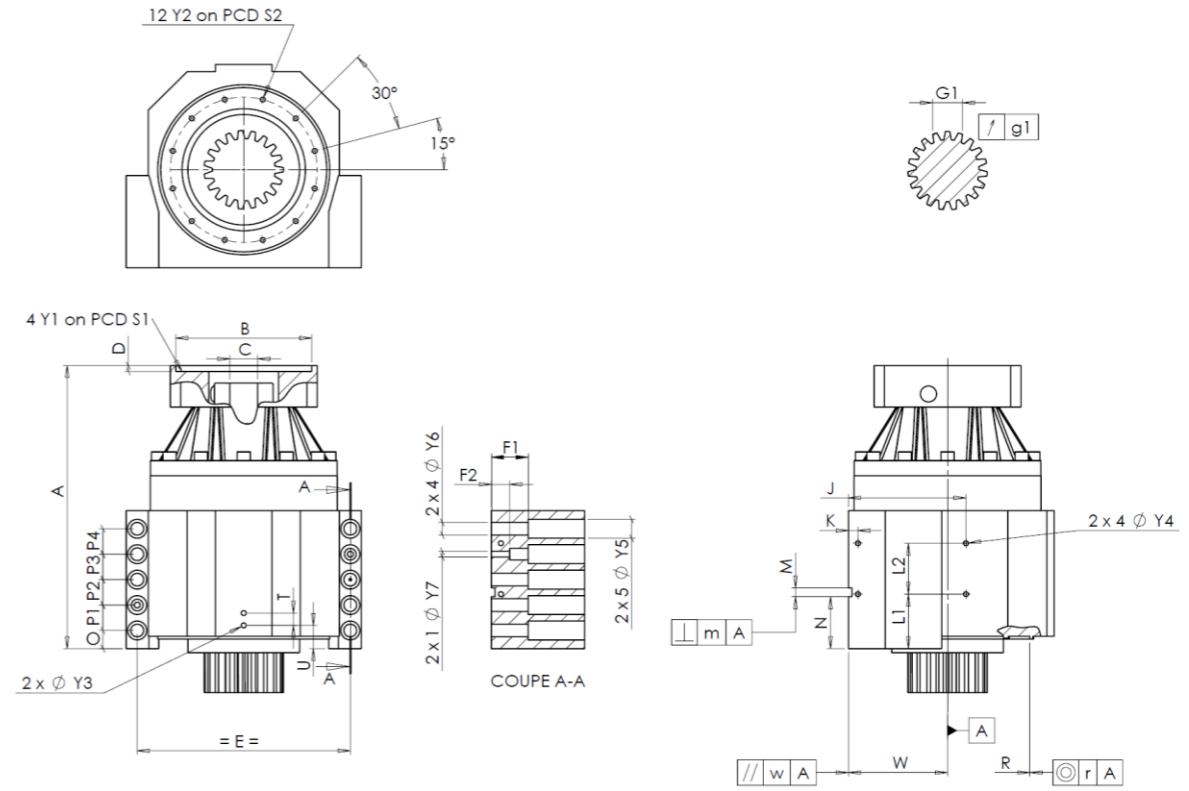
CODE: RX136373-00 **MOTOR FLANGE CODE:** RX128581-01

For the installation, please refer to User Manual KRPX (182/010)

SPECIFIC REMARKS:
 (1) Accepted according to Redex derogation 15

Product images are for illustrative purposes only.

EXTERNAL DIMENSIONS & INTERFACES: **SN:** 910202



General tolerance: Js13 Cmm Automatic / manual coordinate-measuring machine μm Micrometer Cr Calliper rule Di Dial indicator Pg Plug gauge

HOUSING				HOUSING				MOTOR FLANGE						
requirement		measure		requirement		measure		requirement		measure				
			J1635	L1	81	Cr	81	∅	B	181	μm	181,03		
∅	Y2	M8x16	Pg	M8x16	L2	79	Cr	79	∅	C	38	+0,05 +0,025	μm	38,03
	A	530,5	μm	531,39	K	15	Cr	15		D	8	Cr	8,52	
	E	320	Cr	320	2 x 4∅	Y4	M10x13	Pg	M10x13	∅	S1	215	Cr	215
	O	20	Cr	20	F1	60	Cr	60	∅	Y1	M12	Pg	M12	
	P1	40	Cr	40	F2	30	Cr	30	No-load input torque Line 1 1 Nm					
	P2	40	Cr	40	2 x 1∅	Y7	14	μm					14	
	P3	40	Cr	40	2 x 4∅	Y6	22	μm	22	Line Stiffness Torsional stiffness (Nm/arcmin) 1 574,81 Radial stiffness (N/μm) 1 1293				
	P4	40	Cr	40	2 x 5∅	Y5	33	μm	33					
	T	20	Cr	20	M H6	15	+0,011 0	Cmm	14,998 ⁽¹⁾					
	U	37	Cr	37	⊥	m	0,05	Cmm	0,013					
2 x 1∅	Y3	M10x13	Pg	M10x13	N	72,5	+0,1 -0,1	Cmm	72,458					
	R	255	+0,2 +0,1	Cmm	255,118	A	W	158	+0,035 -0,035	Cmm	158,002			
⊙	r	0,1	Cmm	0,035	//	w	0,03	/A	Cmm	0,002				

OUTPUT PINION				Noise level	
			J5042	@1600 rpm input (dB(A))	59,0
Span dimension over 3 teeth					
	G1	46,9	0 -0,03	Cmm	46,885
↗	g1	0,022		Di	0,02

Date: 24/03/2026 **Version:** A

Visa: P.Vaslier