

**CUSTOMER:** PREET      **CUSTOMER ORDER REF:** \*2425/24100 PREET

**DISTRIBUTOR:**      **REDEX ORDER REF:** 219966

**DESIGNATION:** KRPX4.MX1.155.3.H.28/38      **SERIAL NUMBER:** 910197

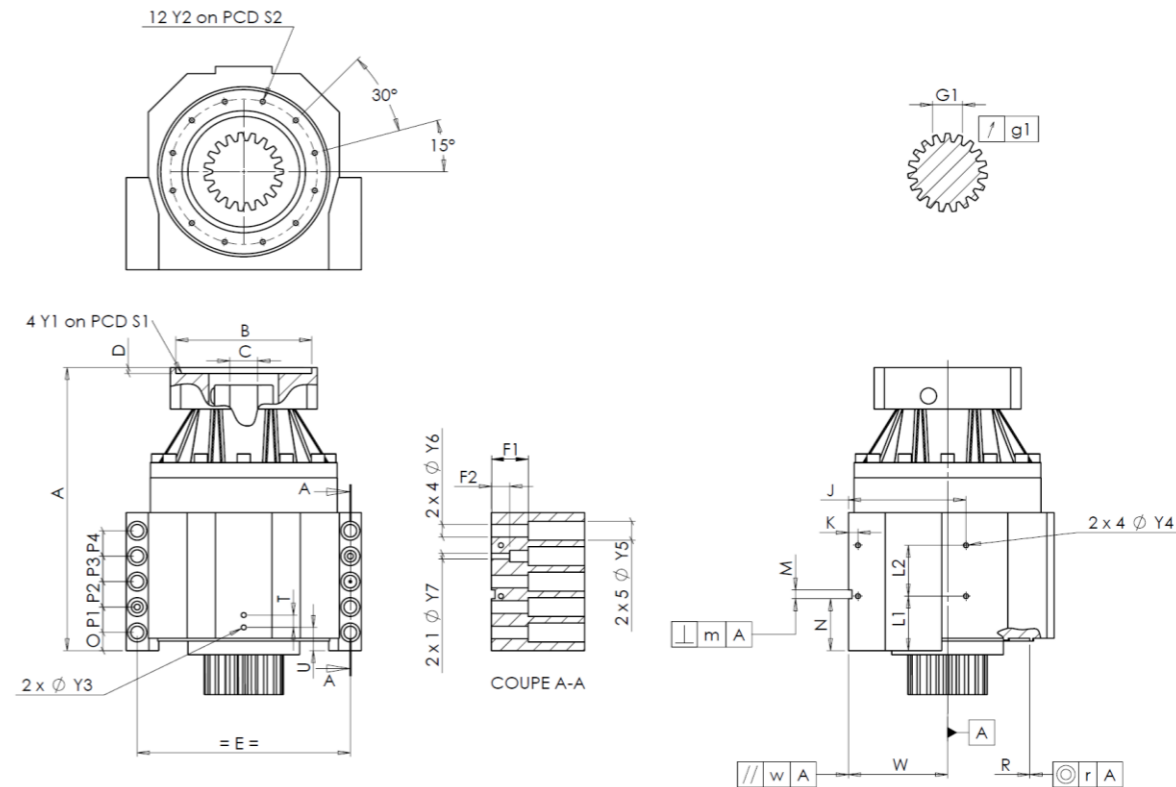
**CODE:** RX136373-00      **MOTOR FLANGE CODE:** RX128581-01

For the installation, please refer to User Manual KRPX (182/010)

**SPECIFIC REMARKS:**

Product images are for illustrative purposes only.

**EXTERNAL DIMENSIONS & INTERFACES:**      **SN:** 910197



General tolerance: Js13      Cmm      Automatic / manual coordinate-measuring machine      µm      Micrometer      Cr      Calliper rule      Di      Dial indicator      Pg      Plug gauge

HOUSING				HOUSING				MOTOR FLANGE						
requirement		measure		requirement		measure		requirement		measure				
		J2580		L1	81	Cr	81	Ø	B	181	µm	181		
Ø	Y2	M8x16	Pg	M8x16	L2	79	Cr	79	Ø	C	38	+0,05 +0,025	µm	38,04
	A	530,5	µm	531,4	J	185	Cr	185		D	8	Cr	8,5	
	E	320	Cr	320	K	15	Cr	15	Ø	S1	215	Cr	215	
	O	20	Cr	20	2 x 4Ø	Y4	M10x13	Pg	M10x13	Ø	Y1	M12	Pg	M12
	P1	40	Cr	40	F1	60	Cr	60	<b>No-load input torque</b>					
	P2	40	Cr	40	F2	30	Cr	30					Line 1	
	P3	40	Cr	40	2 x 1Ø	Y7	14	µm	14	<b>Line      Stiffness</b>				
	P4	40	Cr	40	2 x 4Ø	Y6	22	µm	22					Torsional stiffness (Nm/arcmin)
	T	20	Cr	20		M H6	15	+0,011 0	Cmm	15	Radial stiffness (N/µm)		1      1167	
2 x 1Ø	Y3	M10x13	Pg	M10x13	⊥	m	0,05	Cmm	0,029					
	R	255	+0,2 +0,1	Cmm	255,125	A								
⊙	r	0,1	Cmm	0,018	//	w	0,03	/A	Cmm	0,004				

OUTPUT PINION				Noise level	
J2392				@1600 rpm input (dB(A))	
<b>Span dimension over 3 teeth</b>					
	G1	46,9	0 -0,03	Cmm	46,88
↗	g1	0,022		Di	0,01

**Date:** 20/01/2026

**Visa:** P.Vaslier

**Version:** A