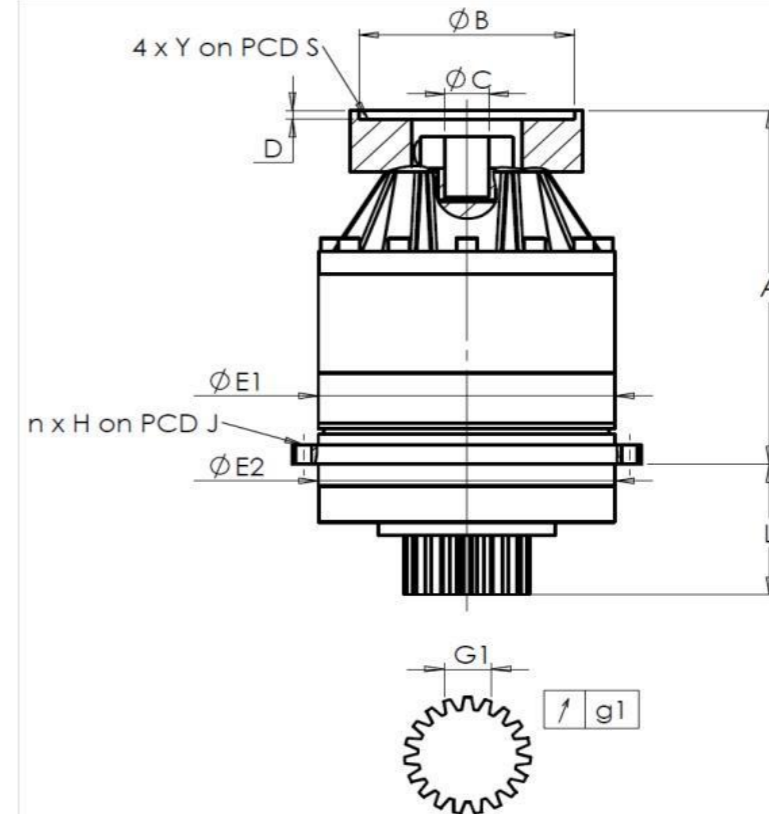


CUSTOMER: REDEX SHANGHAI REPAIRING CUSTOMER ORDER REF: *RXCN2024012609 GNCKM
 DISTRIBUTOR: REDEX SHANGHAI REPAIRING REDEX ORDER REF: 218974
 DESIGNATION: KRP2.M1.31.3.H.28/38 SERIAL NUMBER: 908697
 CODE: RX133901-12 MOTOR FLANGE CODE: RX129461-01

EXTERNAL DIMENSIONS & INTERFACES: SN: 908697



General tolerance: Js13 Cmm Automatic / manual coordinate-measuring machine µm Micrometer Cr Calliper rule Di Dial indicator Pg Plug gauge

For the installation, please refer to User Manual KRP (182/008)

SPECIFIC REMARKS:

HOUSING				OUTPUT PINION				MOTOR FLANGE			
requirement		measure		requirement		measure		requirement		measure	
		G4687				G7381					
E1	212h7 ⁰ _{-0,046} µm		211,98	Span dimension over 4 teeth				Ø B	131	µm	131
E2	200h7 ⁰ _{-0,046} µm		199,98	G1	44,27 ⁰ _{-0,03} Cmm		44,25	Ø C	32 ^{+0,05} _{+0,025} µm		32,025
n x H on PCD J	12 Ø9 on PCD 233	Cr	12 Ø9 on PCD 233	g1	0,022	Di	0,01	Ø D	5	Cr	5,52
A	273	µm	273,62	No-load input torque				Ø S1	165	Cr	165
L	94	µm	93,84	Line 1			0,7 Nm	Ø Y1	M10	Pg	M10

		Line	Stiffness	Noise level	
				@1600 rpm input (dB(A))	62,5
Torsional stiffness (Nm/arcmin)	1		243,75		
Radial stiffness (N/µm)	1		660		

Date: 15/05/2024

Visa: C DE MIRANDA

Version: A

Product images are for illustrative purposes only.



1, Rue Paul De Fontenay
 F- 45210 FERRIERES
 www.redex-group.com

Tel: +33 2 38 94 42 00
 Fax: +33 2 38 94 42 99
 Email: info@redex-group.com



1, Rue Paul De Fontenay
 F- 45210 FERRIERES
 www.redex-group.com

Tel: +33 2 38 94 42 00
 Fax: +33 2 38 94 42 99
 Email: info@redex-group.com