

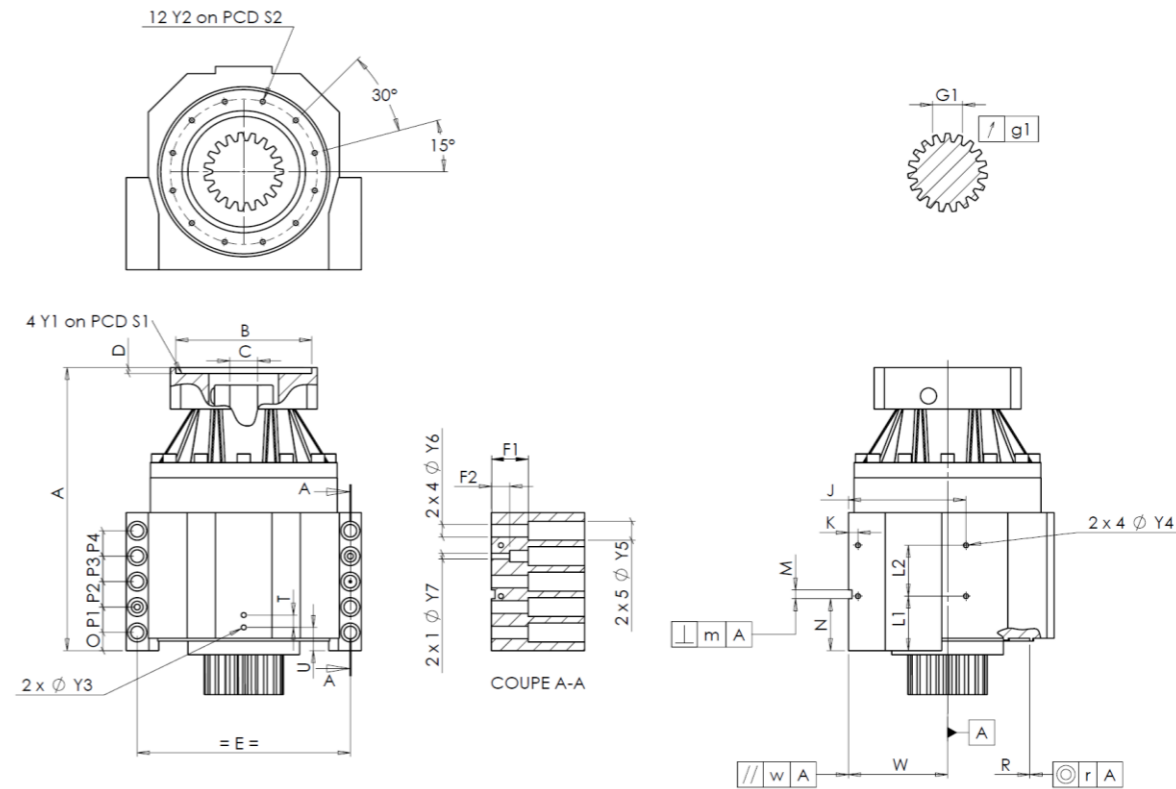
**CUSTOMER:** MAKINO      **CUSTOMER ORDER REF:** SFI240305IB-1 MAKINO

**DISTRIBUTOR:** S & F INC      **REDEX ORDER REF:** 219076

**DESIGNATION:** KRPX4+M.21.3.H.35/48      **SERIAL NUMBER:** 908590

**CODE:** RX131194-11      **MOTOR FLANGE CODE:** RX128583-06

**EXTERNAL DIMENSIONS & INTERFACES:**      **SN:** 908590



For the installation, please refer to User Manual KRPX (182/010)

**SPECIFIC REMARKS:**

| HOUSING     |                                     | HOUSING     |         | MOTOR FLANGE                    |               |
|-------------|-------------------------------------|-------------|---------|---------------------------------|---------------|
| requirement | measure                             | requirement | measure | requirement                     | measure       |
|             | G1583                               | L1          | 81      | ∅                               | B 115         |
| Y2          | M8x16                               | L2          | 79      | ∅                               | C 35          |
| ∅ S2        | 234 <sup>+0,1</sup> <sub>-0,1</sub> | J           | 185     | ∅                               | D 8           |
| A           | 436                                 | K           | 15      | ∅                               | S1 200        |
| E           | 320                                 | F1          | 60      | ∅                               | Y1 M12        |
| O           | 20                                  | F2          | 30      | <b>No-load input torque</b>     |               |
| P1          | 40                                  | 2 x 1∅ Y7   | 14      | Line 1      1,7 Nm              |               |
| P2          | 40                                  | 2 x 4∅ Y6   | 22      | <b>Line</b> <b>Stiffness</b>    |               |
| P3          | 40                                  | 2 x 5∅ Y5   | 33      | Torsional stiffness (Nm/arcmin) | 1      574,81 |
| P4          | 40                                  | M H6        | 15      | Radial stiffness (N/μm)         | 1      1331   |
| T           | 20                                  | m           | 0,05    |                                 |               |
| U           | 37                                  | N           | 72,5    |                                 |               |
| 2 x 1∅ Y3   | M10x13                              | W           | 158     |                                 |               |
| ∅ R         | 255 <sup>+0,2</sup> <sub>+0,1</sub> | W           | 158     |                                 |               |
| ∅ r         | 0,1                                 | w           | 0,03    |                                 |               |

| OUTPUT PINION               |                                    | Noise level              |       |
|-----------------------------|------------------------------------|--------------------------|-------|
|                             | G4406                              | @ 1300 rpm input (dB(A)) | 60,5  |
| Span dimension over 3 teeth |                                    |                          |       |
| G1                          | 46,9 <sup>0</sup> <sub>-0,03</sub> | Cmm                      | 46,88 |
| g1                          | 0,022                              | Di                       | 0,02  |

**Date:** 13/03/2024

**Visa:** C DE MIRANDA

**Version:** A

Product images are for illustrative purposes only.