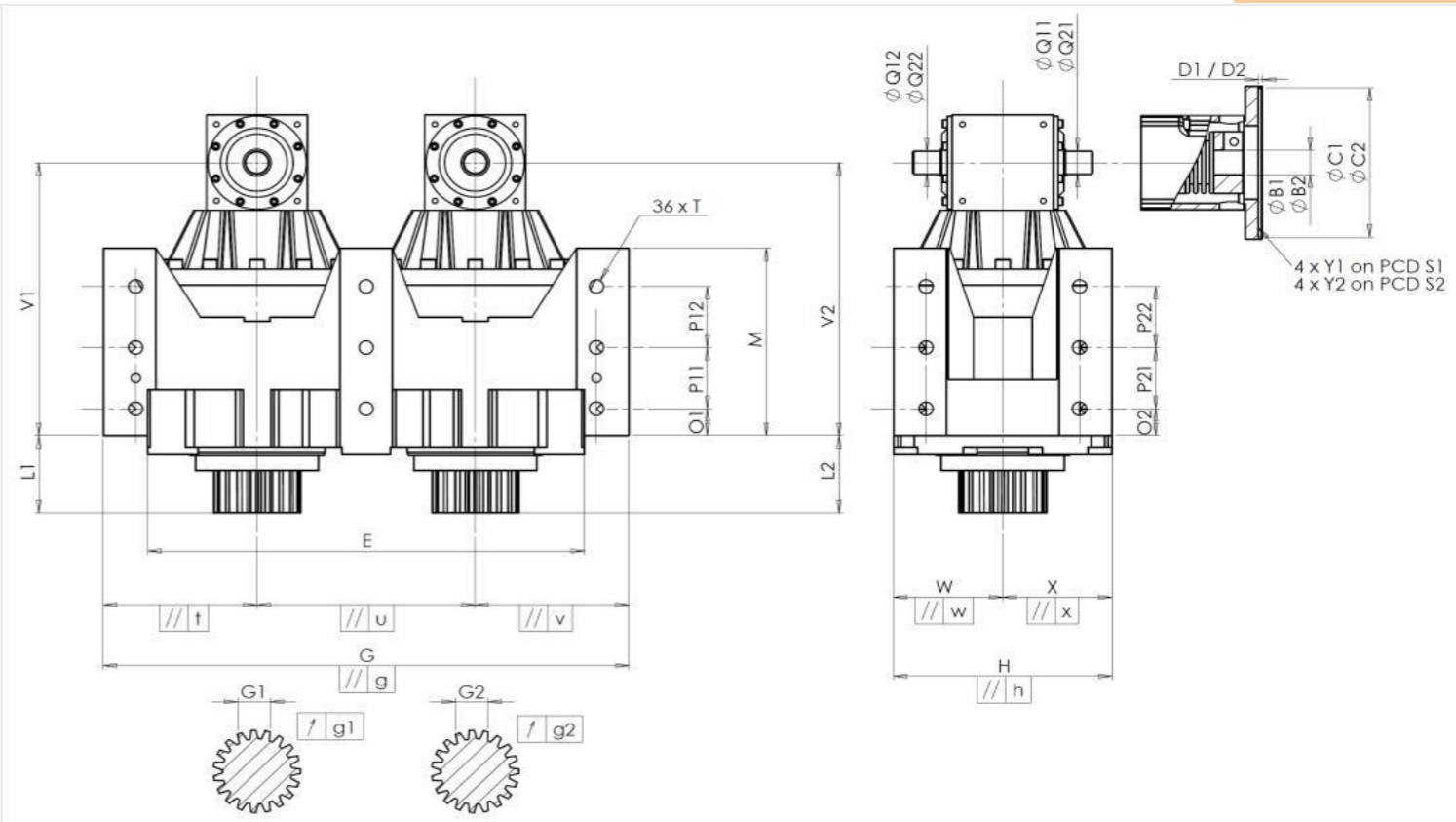


CUSTOMER: NIDEC CUSTOMER ORDER REF: *231212IB-2 NIDEC
 DISTRIBUTOR: S & F INC REDEX ORDER REF: 218413
 DESIGNATION: DRP4+P.46.4.H SERIAL NUMBER: 908586
 CODE: RX130917-13 MOTOR FLANGE CODE: RX129551-03

EXTERNAL DIMENSIONS & INTERFACES: SN: 908586



General tolerance: Js13 Cmm Automatic / manual coordinate-measuring machine μm Micrometer Cr Calliper rule Di Dial indicator Pg Plug gauge

For the installation, please refer to User Manual DRP (182/009)

SPECIFIC REMARKS:

HOUSING				HOUSING				MOTOR FLANGE			
requirement	measure			requirement	measure			requirement	measure		
	G3473			O1	43	Cr	43		G3880		
E	640 ⁰ _{-0,1}	Cmm	639,97	P11	100	Cr	100	∅ B1	114,3 ^{+0,047} _{+0,012}	μm	114,315
G	800 ^{+0,2} _{-0,2}	Cmm	800,173	P12	100	Cr	100	∅ C1	35 ^{+0,05} _{+0,025}	μm	35,035
// g	0,05	Cmm	0,024	M	288 ^{+0,1} _{-0,1}	Cmm	288,065	D1	18	Cr	18
// t	0,05	Cmm	0,001	O2	43	Cr	43	∅ S1	200	Cr	200
// u	0,035	Cmm	0,012	P21	100	Cr	100	∅ Y1	M12	Pg	M12
// v	0,05	Cmm	0,001	P22	100	Cr	100		G3884		
W	160	Cmm	160	∅ T	M24	Pg	M24	∅ B2	114,3 ^{+0,047} _{+0,012}	μm	114,32
// w	0,04	Cmm	0,008	OUTPUT PINION				∅ C2	35 ^{+0,05} _{+0,025}	μm	35,04
X	160	Cmm	160,043	Pinion 1				D2	18	Cr	18
// x	0,04	Cmm	0,008	Span dimension over 3 teeth				∅ S2	200	Cr	200
H	320 ^{+0,04} _{-0,04}	Cmm	320,04	G1	46,9 ⁰ _{-0,03}	Cmm	46,87	∅ Y2	M12	Pg	M12
// h	0,02	Cmm	0,009	g1	0,022	Di	0,01				
V1	435	Cmm	435,15	Pinion 2				Line		Stiffness	
L1	120	Cmm	120,139	Span dimension over 3 teeth				Torsional stiffness (Nm/arcmin)	1	745,99	
V2	435	Cmm	435,13	G2	46,9 ⁰ _{-0,03}	Cmm	46,87		2	745,99	
L2	120	Cmm	120,074	No-load input torque				Radial stiffness (N/μm)	1	1234	
∅ Q11/Q12	35 ^{+0,011} _{-0,005}	Cmm	35,007/35,003	g2	0,022	Di	0,01		2	1233	
∅ Q21/Q22	35 ^{+0,011} _{-0,005}	Cmm	35,006/35,008	Line 1				Noise level			
				Line 2				@1300 rpm input (dB(A))	66,5		
				2,8 Nm							
				2,8 Nm							

Date: 16/04/2024
Version: A

Visa: P.Vaslier

Product images are for illustrative purposes only.