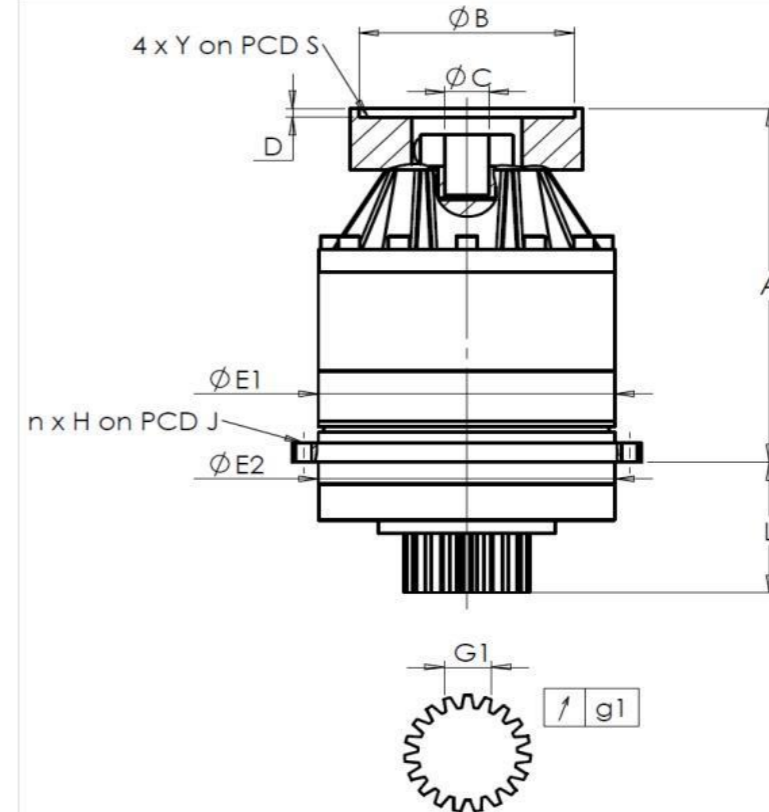


CUSTOMER: THERMWOOD CUSTOMER ORDER REF: \*33811-00 THERMWOOD  
 DISTRIBUTOR: REDEX ORDER REF: 218399  
 DESIGNATION: KRP1+M.21.3.H.22/32 SERIAL NUMBER: 908556  
 CODE: RX129833-11 MOTOR FLANGE CODE: RX128707-05

EXTERNAL DIMENSIONS & INTERFACES: SN: 908556



General tolerance: Js13 Cmm Automatic / manual coordinate-measuring machine µm Micrometer Cr Calliper rule Di Dial indicator Pg Plug gauge

For the installation, please refer to User Manual KRP (182/008)

SPECIFIC REMARKS:

HOUSING				OUTPUT PINION				MOTOR FLANGE			
requirement		measure		requirement		measure		requirement		measure	
		G1948				F578					
E1	152h7 <sup>0</sup> <sub>-0,04</sub> µm	151,99	Span dimension over 3 teeth				Ø B	131 µm	131		
E2	140h7 <sup>0</sup> <sub>-0,04</sub> µm	139,99	G1	23,28 <sup>0</sup> <sub>-0,03</sub> Cmm	23,27	Ø C	32 <sup>+0,05</sup> <sub>+0,025</sub> µm	32,03			
n x H on PCD J	12 Ø6,5 on PCD 168	12 Ø6,5 on PCD 168	g1	0,021	Di	0,02	Ø D	8	Cr	8,5	
A	219,5 µm	219,74	No-load input torque				Ø S1	165	Cr	165	
L	71 µm	70,78	Line 1		0,3 Nm		Ø Y1	M10	Pg	M10	

			Noise level	
			@1600 rpm input (dB(A))	64,0
Torsional stiffness (Nm/arcmin)	1	81,39		
Radial stiffness (N/µm)	1	330		

Date: 17/04/2024

Visa: C DE MIRANDA

Version: A

Product images are for illustrative purposes only.