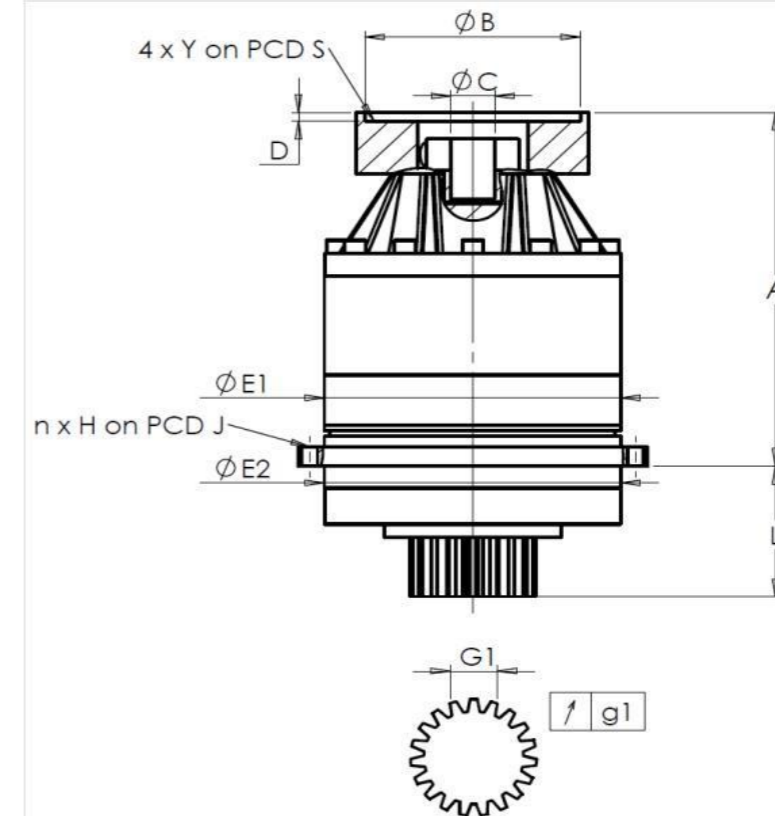


CUSTOMER: THERMWOOD CUSTOMER ORDER REF: \*33811-00 THERMWOOD  
 DISTRIBUTOR: REDEX ORDER REF: 218399  
 DESIGNATION: KRP1+M.21.3.H.22/32 SERIAL NUMBER: 908555  
 CODE: RX129833-11 MOTOR FLANGE CODE: RX128707-05

EXTERNAL DIMENSIONS & INTERFACES: SN: 908555



General tolerance: Js13 Cmm Automatic / manual coordinate-measuring machine µm Micrometer Cr Calliper rule Di Dial indicator Pg Plug gauge

For the installation, please refer to User Manual KRP (182/008)

SPECIFIC REMARKS:

HOUSING				OUTPUT PINION				MOTOR FLANGE			
requirement		measure		requirement		measure		requirement		measure	
		G1946				F564					
E1	152h7 <sup>0</sup> <sub>-0,04</sub> µm		151,99	Span dimension over 3 teeth				Ø B	131 µm		131
E2	140h7 <sup>0</sup> <sub>-0,04</sub> µm		139,985	G1	23,28 <sup>0</sup> <sub>-0,03</sub> Cmm		23,265	Ø C	32 <sup>+0,05</sup> <sub>+0,025</sub> µm		32,025
n x H on PCD J	12 Ø6,5 on PCD 168	Cr	12 Ø6,5 on PCD 168	g1	0,021	Di	0,02	Ø D	8	Cr	8,5
A	219,5 µm		219,78	No-load input torque				Ø S1	165	Cr	165
L	71 µm		70,69	Line 1		0,2 Nm		Ø Y1	M10	Pg	M10

Noise level		
	Line	Stiffness
Torsional stiffness (Nm/arcmin)	1	81,39
Radial stiffness (N/µm)	1	324

Noise level	
@1600 rpm input (dB(A))	63,0

Date: 17/04/2024

Visa: C DE MIRANDA

Version: A

Product images are for illustrative purposes only.