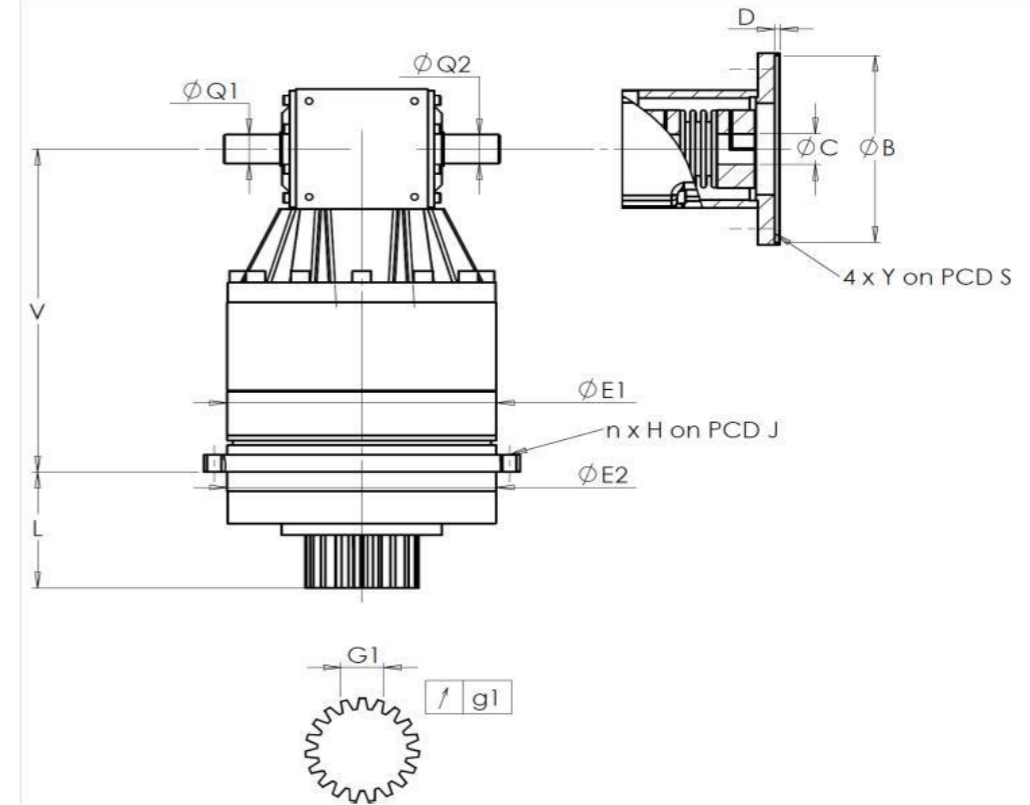


CUSTOMER: **YONG JU PRECISION** CUSTOMER ORDER REF: **\*RX113302T YONG JU**  
 DISTRIBUTOR: **REDEX ORDER REF: 218926**  
 DESIGNATION: **KRP4+R.31.4.H** SERIAL NUMBER: **908515**  
 CODE: **RX129176-12** MOTOR FLANGE CODE: **RX129481-01**

EXTERNAL DIMENSIONS & INTERFACES: SN: **908515**



General tolerance: Js13 Cmm Automatic / manual coordinate-measuring machine μm Micrometer Cr Calliper rule Di Dial indicator Pg Plug gauge

For the installation, please refer to User Manual KRP (182/008)

SPECIFIC REMARKS:

HOUSING				OUTPUT PINION				MOTOR FLANGE			
requirement		measure		requirement		measure		requirement		measure	
		G4036				G4403					
E1	285h7 <sup>0</sup> <sub>-0,052</sub> μm		284,98	Span dimension over 3 teeth				∅ B	250 <sup>+0,061</sup> <sub>+0,015</sub> μm		
E2	285h7 <sup>0</sup> <sub>-0,052</sub> μm		284,98	G1	46,9 <sup>0</sup> <sub>-0,03</sub> Cmm		46,875	∅ C	48 <sup>+0,05</sup> <sub>+0,025</sub> μm		
n x H on PCD J	16 ∅14 on PCD 310	Cr	16 ∅14 on PCD 310	g1	0,022	Di	0,01	D	8	Cr	
V	414,3	μm	414,17	No-load input torque				∅ S1	300	Cr	
L	141	μm	141,03	Line 1				∅ Y1	M16	Pg	
∅ Q1	35 <sup>+0,011</sup> <sub>-0,005</sub> μm		35,004	Noise level				@1300 rpm input (dB(A))		69,5	
∅ Q2	35 <sup>+0,011</sup> <sub>-0,005</sub> μm		35,005	Torsional stiffness (Nm/arcmin)		1	574,81				
				Radial stiffness (N/μm)		1	1169				

Date: **18/03/2024**

Visa: **C DE MIRANDA**

Version: **A**

Product images are for illustrative purposes only.