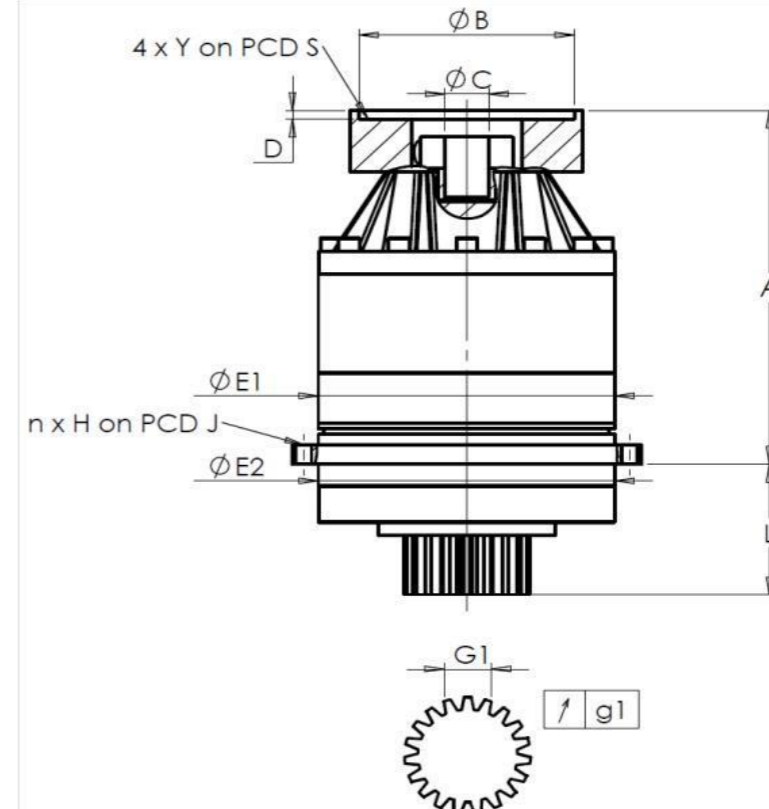


CUSTOMER: **ELECTROIMPACT** CUSTOMER ORDER REF: ***33649-00 ELECTROIMPACT**
 DISTRIBUTOR: **REDEX ORDER REF: 218208**
 DESIGNATION: **KRP5+M.91.3.H.35/48** SERIAL NUMBER: **908454**
 CODE: **RX132915-33** MOTOR FLANGE CODE: **RX128583-01**

EXTERNAL DIMENSIONS & INTERFACES: SN: **908454**



General tolerance: Js13 Cmm Automatic / manual coordinate-measuring machine µm Micrometer Cr Calliper rule Di Dial indicator Pg Plug gauge

For the installation, please refer to User Manual KRP (182/008)

SPECIFIC REMARKS:

HOUSING				OUTPUT PINION				MOTOR FLANGE			
requirement		measure		requirement		measure		requirement		measure	
		G6714				G3120					
E1	355j6 ^{+0,018} / _{-0,018}	µm	355,01	Span dimension over 3 teeth				Ø B	181	µm	181
E2	355j6 ^{+0,018} / _{-0,018}	µm	355,01	G1	62,97 ⁰ / _{-0,05}	Cmm	62,935	Ø C	38 ^{+0,05} / _{+0,025}	µm	38,025
n x H on PCD J	12 Ø17,5 on PCD 385	Cr	12 Ø17,5 on PCD 385	g1	0,03	Di	0,02	Ø D	8	Cr	8,50
A	421	µm	421,71	No-load input torque				Ø S1	215	Cr	215
L	178	µm	178,03	Line 1		1 Nm		Ø Y1	M12	Pg	M12
								Noise level			
								@1000 rpm input (dB(A))		54,0	
				Line		Stiffness					
				Torsional stiffness (Nm/arcmin)		1		1076,47			
				Radial stiffness (N/µm)		1		1258			

Date: **25/03/2024**

Visa: **P.Vaslier**

Version: **A**

Product images are for illustrative purposes only.