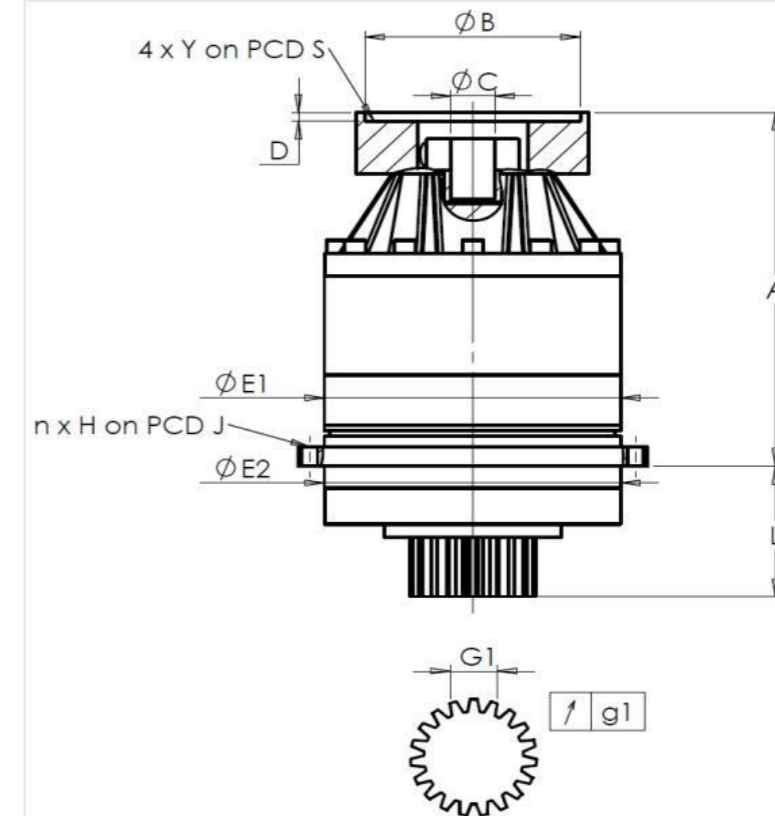


CUSTOMER: **ELECTROIMPACT** CUSTOMER ORDER REF: ***33649-00 ELECTROIMPACT**
 DISTRIBUTOR: **REDEX ORDER REF: 218208**
 DESIGNATION: **KRP5+M.91.3.H.35/48** SERIAL NUMBER: **908452**
 CODE: **RX132915-33** MOTOR FLANGE CODE: **RX128583-01**

EXTERNAL DIMENSIONS & INTERFACES: SN: **908452**



General tolerance: Js13 **Cmm** Automatic / manual coordinate-measuring machine **µm** Micrometer **Cr** Calliper rule **Di** Dial indicator **Pg** Plug gauge

For the installation, please refer to User Manual KRP (182/008)

SPECIFIC REMARKS:

HOUSING				OUTPUT PINION				MOTOR FLANGE				
requirement		measure		requirement		measure		requirement		measure		
		G6712				G3117						
E1	355j6 ^{+0,018} _{-0,018}	µm	355,01	Span dimension over 3 teeth				Ø	B	181	µm	181
E2	355j6 ^{+0,018} _{-0,018}	µm	355,01	G1	62,97 ⁰ _{-0,05}	Cmm	62,935	Ø	C	38 ^{+0,05} _{+0,025}	µm	38,025
n x H on PCD J	12 Ø17,5 on PCD 385	Cr	12 Ø17,5 on PCD 385	g1	0,03	Di	0,01	Ø	D	8	Cr	8,43
A	421	µm	421,81	No-load input torque				Ø	S1	215	Cr	215
L	178	µm	177,97	Line 1		1 Nm		Ø	Y1	M12	Pg	M12

Noise level			
	Line	Stiffness	@1000 rpm input (dB(A))
Torsional stiffness (Nm/arcmin)	1	1076,47	56,5
Radial stiffness (N/µm)	1	1206	

Date: **25/03/2024**

Visa: **P.Vaslier**

Version: **A**

Product images are for illustrative purposes only.