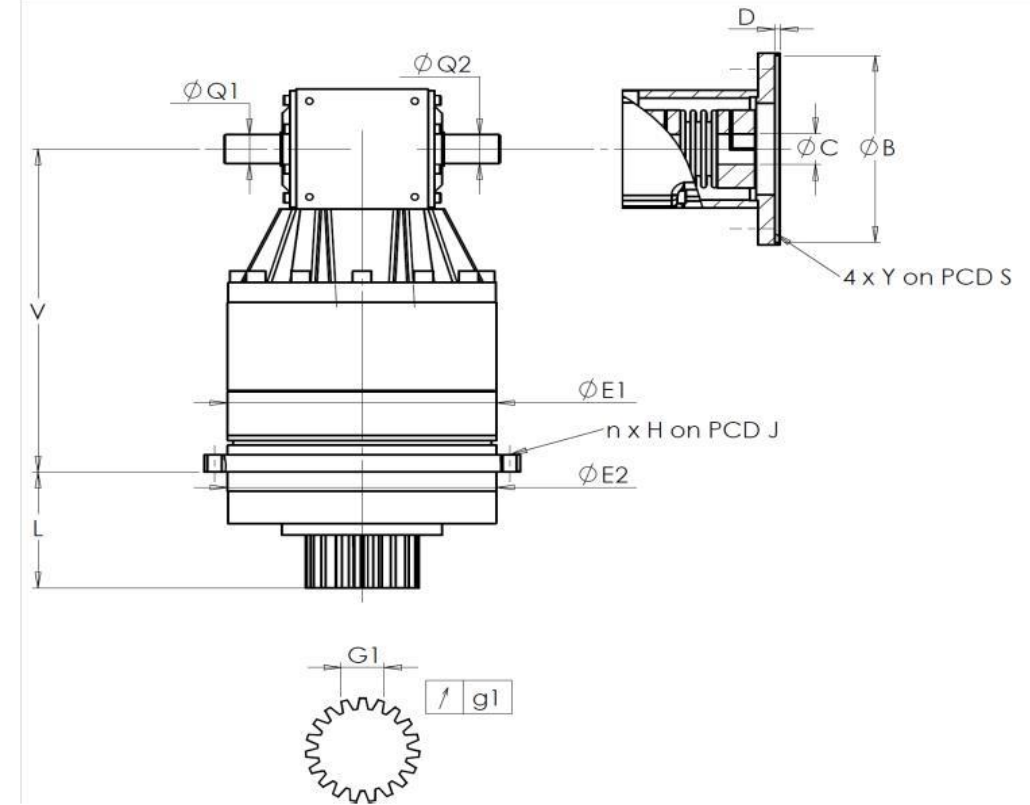


CUSTOMER: **YONG JU PRECISION** CUSTOMER ORDER REF: ***RX112306T YONG JU**
 DISTRIBUTOR: **REDEX ORDER REF: 217818**
 DESIGNATION: **KRP2.R1.31.4.H** SERIAL NUMBER: **908369**
 CODE: **RX133930-12** MOTOR FLANGE CODE:

EXTERNAL DIMENSIONS & INTERFACES: SN: **908369**



For the installation, please refer to User Manual KRP (182/008)

SPECIFIC REMARKS:

General tolerance: Js13 Cmm Automatic / manual coordinate-measuring machine μm Micrometer Cr Calliper rule Di Dial indicator Pg Plug gauge

HOUSING				OUTPUT PINION				MOTOR FLANGE			
requirement		measure		requirement		measure		requirement		measure	
		G96				F5077				-	
E1	212h7 ⁰ _{-0,046} μm	211,98	Span dimension over 4 teeth				∅	B		μm	
E2	200h7 ⁰ _{-0,046} μm	199,98	G1	44,27 ⁰ _{-0,03} Cmm	44,258	∅	C		μm		
n x H on PCD J	12 ∅9 on PCD 233 Cr	12 ∅9 on PCD 233 Cr	g1	0,022 Di	0,01	∅	D		Cr		
V	289 μm	289,42	No-load input torque				∅	S1		Cr	
L	94 μm	93,89	Line 1		0,7 Nm			∅	Y1		Pg
∅ Q1	25 ^{+0,009} _{-0,004} μm	24,998					Noise level				
∅ Q2	25 ^{+0,009} _{-0,004} μm	25,008			Line	Stiffness	@1600 rpm input (dB(A))		68,0		
				Torsional stiffness (Nm/arcmin)		1	243,75				
				Radial stiffness (N/μm)		1	600				

Date: **07/02/2024**

Visa: **C DE MIRANDA**

Version: **A**

Product images are for illustrative purposes only.