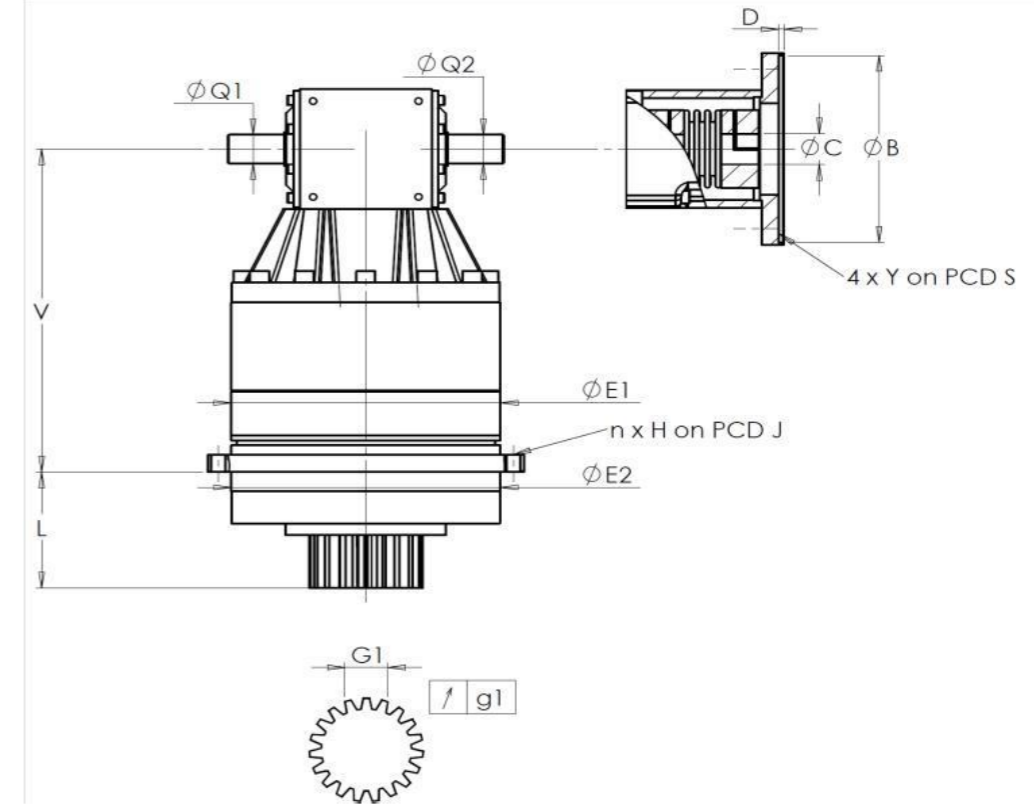


CUSTOMER: **YONG JU PRECISION TECHNOLOGY** CUSTOMER ORDER REF: **RX112315T YONG JU**  
 DISTRIBUTOR: **REDEX** REDEX ORDER REF: **217941**  
 DESIGNATION: **KRP3+R.31.4.H** SERIAL NUMBER: **908295**  
 CODE: **RX128565-12** MOTOR FLANGE CODE:

EXTERNAL DIMENSIONS & INTERFACES: SN: **908295**



For the installation, please refer to User Manual KRP (182/008)

SPECIFIC REMARKS:

General tolerance: Js13 Cmm Automatic / manual coordinate-measuring machine µm Micrometer Cr Calliper rule Di Dial indicator Pg Plug gauge

HOUSING				OUTPUT PINION				MOTOR FLANGE			
requirement	measure	requirement	measure	requirement	measure	requirement	measure				
	G1033		F5167								
E1	255h7 <sup>0</sup> <sub>-0,052</sub> µm	254,99	Span dimension over 3 teeth				Ø	B	µm		
E2	255h7 <sup>0</sup> <sub>-0,052</sub> µm	254,99	G1	39,25 <sup>0</sup> <sub>-0,03</sub> Cmm	39,23	Ø	C	µm			
n x H on PCD J	16 Ø13,5 on PCD 280	Cr	g1	0,022	Di	0,01	Ø	S1	Cr		
V	337	µm	No-load input torque				Ø	Y1	Pg		
L	121	µm	Line 1				1,2 Nm				
Ø Q1	30 <sup>+0,009</sup> <sub>-0,004</sub> µm	30,003	Noise level				@1600 rpm input (dB(A))				
Ø Q2	30 <sup>+0,009</sup> <sub>-0,004</sub> µm	30,009	Line				Stiffness				
				Torsional stiffness (Nm/arcmin)				1			
				Radial stiffness (N/µm)				1			
								473,03			
								1001			
								67,5			

Date: **22/12/2023**

Visa: **C DE MIRANDA**

Version: **A**

Product images are for illustrative purposes only.



1, Rue Paul De Fontenay  
 F- 45210 FERRIERES  
 www.redex-group.com

Tel: +33 2 38 94 42 00  
 Fax: +33 2 38 94 42 99  
 Email: info@redex-group.com



1, Rue Paul De Fontenay  
 F- 45210 FERRIERES  
 www.redex-group.com

Tel: +33 2 38 94 42 00  
 Fax: +33 2 38 94 42 99  
 Email: info@redex-group.com