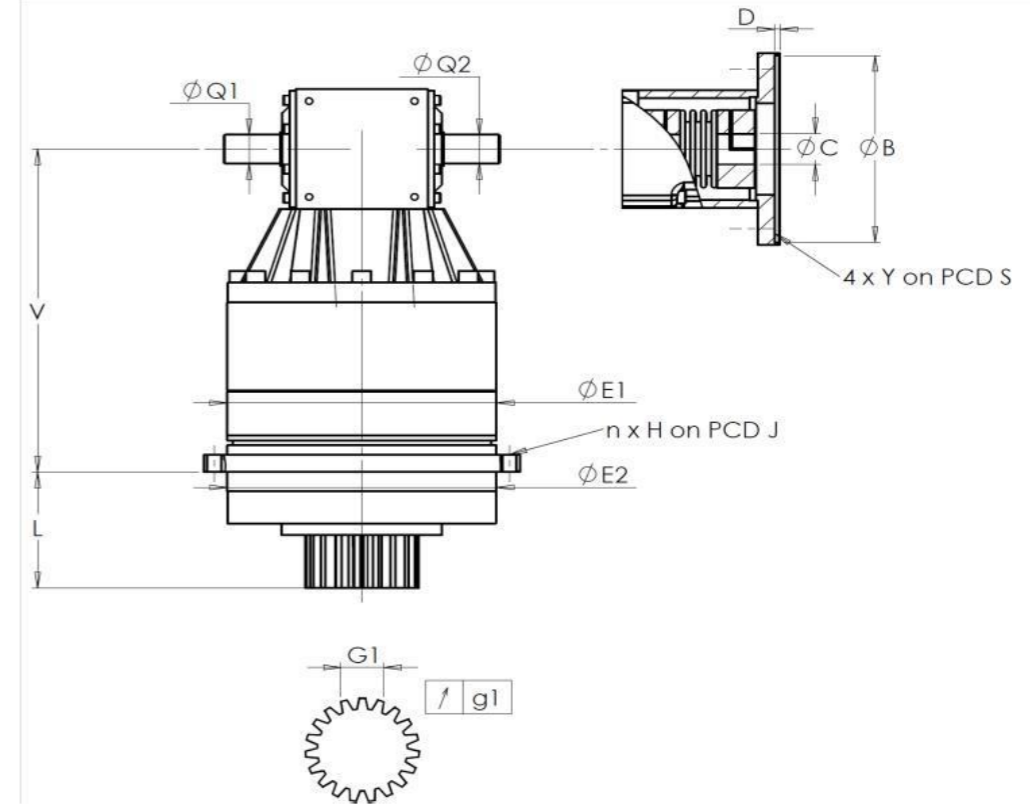


CUSTOMER: **YONG JU PRECISION TECHNOLOGY** CUSTOMER ORDER REF: **RX112315T YONG JU**
 DISTRIBUTOR: **REDEX** REDEX ORDER REF: **217941**
 DESIGNATION: **KRP3+R.31.4.H** SERIAL NUMBER: **908294**
 CODE: **RX128565-12** MOTOR FLANGE CODE:

EXTERNAL DIMENSIONS & INTERFACES: SN: **908294**



For the installation, please refer to User Manual KRP (182/008)

SPECIFIC REMARKS:

General tolerance: Js13 Cmm Automatic / manual coordinate-measuring machine μm Micrometer Cr Calliper rule Di Dial indicator Pg Plug gauge

HOUSING				OUTPUT PINION				MOTOR FLANGE			
requirement		measure		requirement		measure		requirement		measure	
		G1032				F5163				-	
E1	255h7 ⁰ _{-0,052} μm		254,99	Span dimension over 3 teeth				∅	B		μm
E2	255h7 ⁰ _{-0,052} μm		254,99	G1	39,25 ⁰ _{-0,03} Cmm		39,23	∅	C		μm
n x H on PCD J	16 ∅13,5 on PCD 280	Cr	16 ∅13,5 on PCD 280	g1	0,022	Di	0,01	∅	D		Cr
V	337	μm	337,22	No-load input torque				∅	S1		Cr
L	121	μm	121,02	Line 1		1,3 Nm		∅	Y1		Pg
∅ Q1	30 ^{+0,009} _{-0,004} μm		29,999	Noise level						@1600 rpm input (dB(A))	67,5
∅ Q2	30 ^{+0,009} _{-0,004} μm		30,007	Line		Stiffness					
				Torsional stiffness (Nm/arcmin)		1		473,03			
				Radial stiffness (N/μm)		1		929			

Date: **22/12/2023**

Visa: **C DE MIRANDA**

Version: **A**

Product images are for illustrative purposes only.