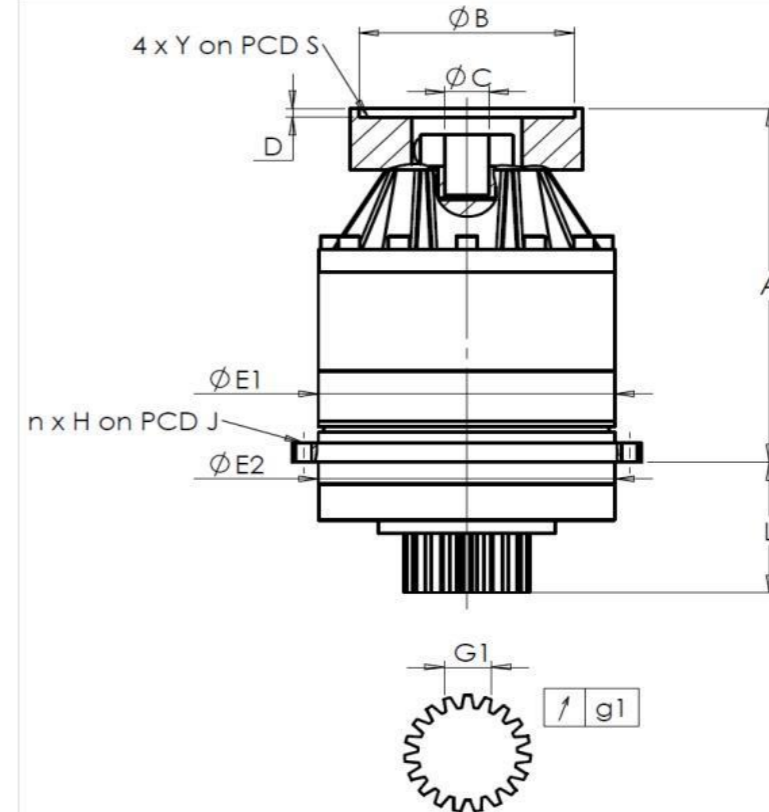


CUSTOMER: SENN KONSTRUKTION CUSTOMER ORDER REF: \*7227/SH ENDRESS + HAUSER  
 DISTRIBUTOR: REDEX ORDER REF: 218242  
 DESIGNATION: KRP3+M.61.3.H.28/38 SERIAL NUMBER: 908293  
 CODE: RX129016-32 MOTOR FLANGE CODE: RX129461-05

EXTERNAL DIMENSIONS & INTERFACES: SN: 908293



For the installation, please refer to User Manual KRP (182/008)

SPECIFIC REMARKS:

General tolerance: Js13 Cmm Automatic / manual coordinate-measuring machine µm Micrometer Cr Calliper rule Di Dial indicator Pg Plug gauge

HOUSING				OUTPUT PINION				MOTOR FLANGE			
requirement		measure		requirement		measure		requirement		measure	
		G1037				F5172					
E1	255h7 <sup>0</sup> <sub>-0,052</sub> µm	254,99	Span dimension over 3 teeth				Ø B	131 µm	131		
E2	255h7 <sup>0</sup> <sub>-0,052</sub> µm	254,99	G1	39,25 <sup>0</sup> <sub>-0,03</sub> Cmm	39,23	Ø C	32F7 <sup>+0,050</sup> <sub>+0,025</sub> µm	32,03			
n x H on PCD J	16 Ø13,5 on PCD 280	Cr 16 Ø13,5 on PCD 280	g1	0,022 Di	0,01	Ø D	5 Cr	5,5	Ø S1	165 Cr	165
A	336,5 µm	337,29	No-load input torque				Ø Y1	M10 Pg	M10		
L	121 µm	121	Line 1		0,8 Nm						

Noise level		
	Line	Stiffness
Torsional stiffness (Nm/arcmin)	1	473,03
Radial stiffness (N/µm)	1	1036

@1600 rpm input (dB(A)) 62,0

Date: 20/12/2023

Visa: C DE MIRANDA

Version: A

Product images are for illustrative purposes only.