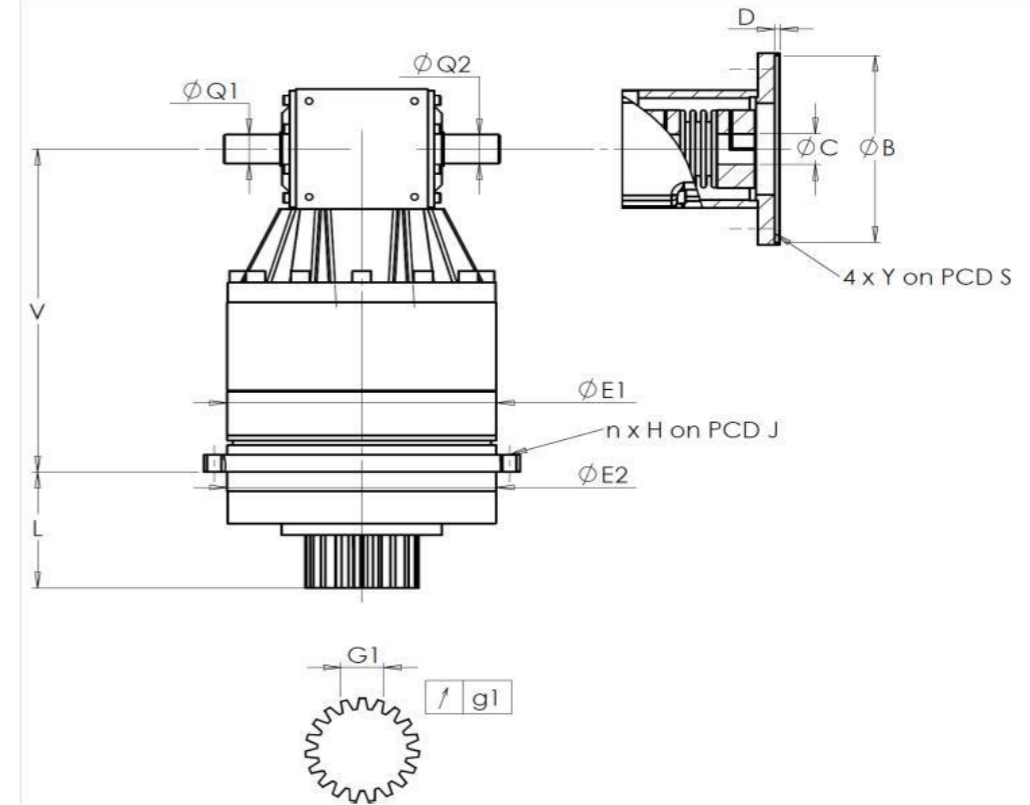


CUSTOMER: **GERIB ASSISTANCE** CUSTOMER ORDER REF: ***AUX23_005 GAT**
 DISTRIBUTOR: **REDEX ORDER REF: 218158**
 DESIGNATION: **KRP4+R.21.4.S** SERIAL NUMBER: **908241**
 CODE: **RX129480-11** MOTOR FLANGE CODE: **RX129481-01**

EXTERNAL DIMENSIONS & INTERFACES: SN: **908241**



For the installation, please refer to User Manual KRP (182/008)

SPECIFIC REMARKS:

General tolerance: Js13 Cmm Automatic / manual coordinate-measuring machine µm Micrometer Cr Calliper rule Di Dial indicator Pg Plug gauge

HOUSING				OUTPUT PINION				MOTOR FLANGE			
requirement		measure		requirement		measure		requirement		measure	
		G4098				R557				E223	
E1	285h7 ⁰ _{-0,052} µm	284,99	Span dimension over 3 teeth				Ø B	250 ^{+0,061} _{+0,015} µm	250,025		
E2	285h7 ⁰ _{-0,052} µm	284,99	G1	46,9 ⁰ _{-0,03} Cmm	46,885	Ø C	48 ^{+0,05} _{+0,025} µm	48,035			
n x H on PCD J	16 Ø14 on PCD 310	16 Ø14 on PCD 310	g1	0,022	Di	0,02	Ø D	8	Cr	8,09	
V	414,3 µm	414,21	No-load input torque				Ø S1	300	Cr	300	
L	141 µm	141,21	Line 1				Ø Y1	M16	Pg	M16	
Ø Q1	35 ^{+0,011} _{-0,005} µm	35,008	Noise level								
Ø Q2	35 ^{+0,011} _{-0,005} µm	35,01			Line	Stiffness	@1300 rpm input (dB(A))		66,5		
			Torsional stiffness (Nm/arcmin)		1	574,81					
			Radial stiffness (N/µm)		1	1121					

Date: **14/12/2023**

Visa: **C DE MIRANDA**

Version: **A**

Product images are for illustrative purposes only.