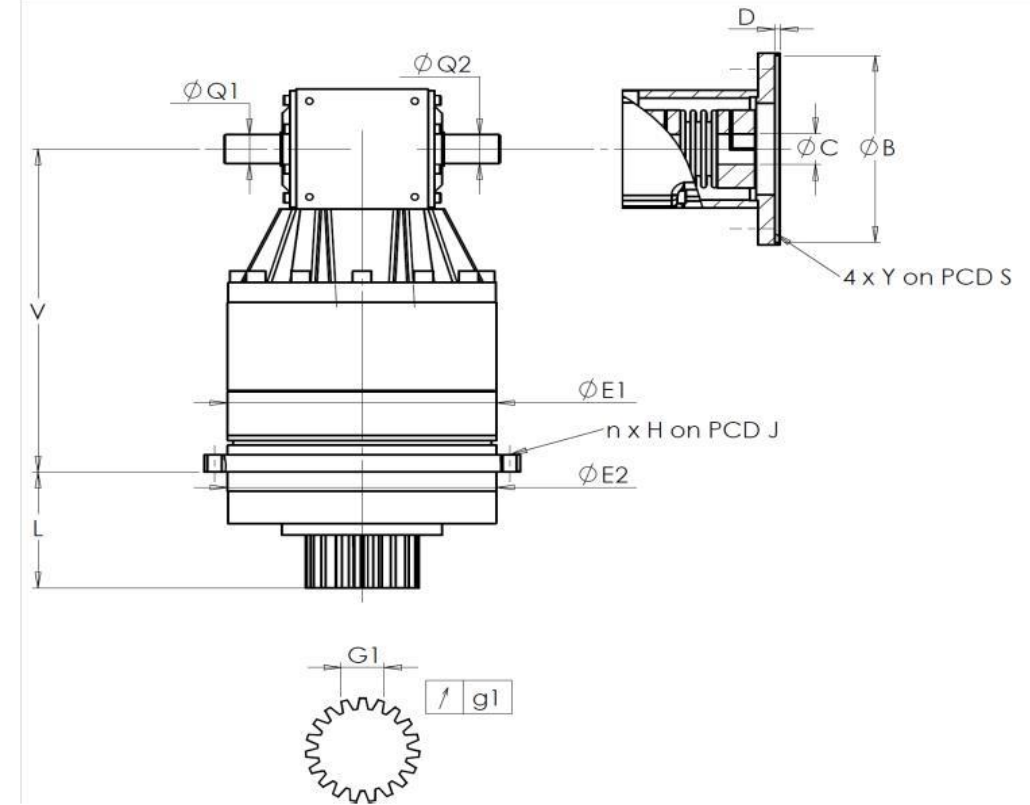


CUSTOMER: SEFI ANCENIS CUSTOMER ORDER REF: *07/070683/QAT-D MANITOU
 DISTRIBUTOR: REDEX ORDER REF: 218342
 DESIGNATION: KRP2.R1.21.4.H SERIAL NUMBER: 908233
 CODE: RX133930-11 MOTOR FLANGE CODE:

EXTERNAL DIMENSIONS & INTERFACES: SN: 908233



For the installation, please refer to User Manual KRP (182/008)

SPECIFIC REMARKS:

General tolerance: Js13 Cmm Automatic / manual coordinate-measuring machine μm Micrometer Cr Calliper rule Di Dial indicator Pg Plug gauge

| HOUSING | | | | OUTPUT PINION | | | | MOTOR FLANGE | | | |
|----------------|---|---------|------------------|---------------------------------|---|---------|--------|--------------|----|-------------------------|------|
| requirement | | measure | | requirement | | measure | | requirement | | measure | |
| | | F2436 | | | | F4826 | | | | - | |
| E1 | 212h7 ⁰ _{-0,046} μm | | 211,96 | Span dimension over 4 teeth | | | | ∅ | B | | μm |
| E2 | 200h7 ⁰ _{-0,046} μm | | 200 | G1 | 44,27 ⁰ _{-0,03} Cmm | | 44,25 | ∅ | C | | μm |
| n x H on PCD J | 12 ∅9 on PCD 233 | Cr | 12 ∅9 on PCD 233 | g1 | 0,022 | Di | 0,01 | | D | | Cr |
| V | 289 | μm | 289 | No-load input torque | | | | ∅ | S1 | | Cr |
| L | 94 | μm | 94 | Line 1 | | 1,2 Nm | | ∅ | Y1 | | Pg |
| ∅ Q1 | 25 ^{+0,009} _{-0,004} μm | | 25,006 | Noise level | | | | | | @1600 rpm input (dB(A)) | 69,5 |
| ∅ Q2 | 25 ^{+0,009} _{-0,004} μm | | 25,007 | Torsional stiffness (Nm/arcmin) | | 1 | 243,75 | | | | |
| | | | | Radial stiffness (N/μm) | | 1 | 578 | | | | |

Date: 07/12/2023

Visa: C DE MIRANDA

Version: A

Product images are for illustrative purposes only.