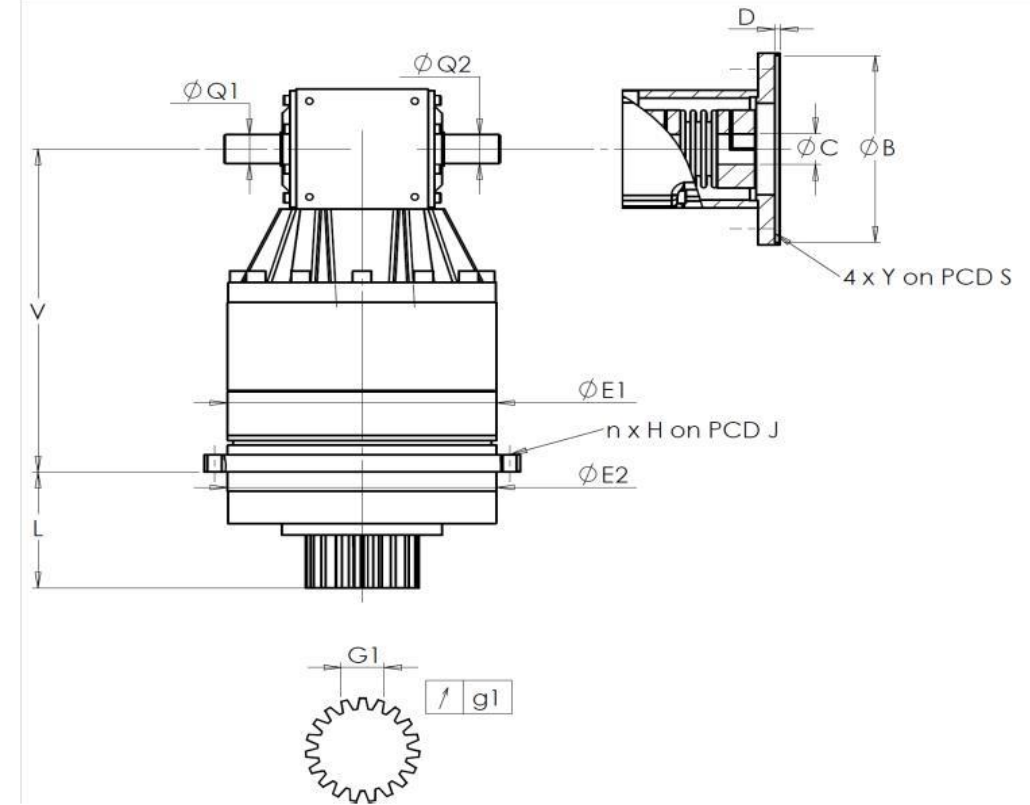


CUSTOMER: SEFI ANCENIS CUSTOMER ORDER REF: *07/070683/QAT-D MANITOU
 DISTRIBUTOR: REDEX ORDER REF: 218342
 DESIGNATION: KRP2.R1.21.4.H SERIAL NUMBER: 908232
 CODE: RX133930-11 MOTOR FLANGE CODE:

EXTERNAL DIMENSIONS & INTERFACES: SN: 908232



For the installation, please refer to User Manual KRP (182/008)

SPECIFIC REMARKS:

General tolerance: Js13 Cmm Automatic / manual coordinate-measuring machine µm Micrometer Cr Calliper rule Di Dial indicator Pg Plug gauge

HOUSING				OUTPUT PINION				MOTOR FLANGE			
requirement		measure		requirement		measure		requirement		measure	
		F2439				F4806				-	
E1	212h7 ⁰ _{-0,046} µm		211,98	Span dimension over 4 teeth				Ø	B		µm
E2	200h7 ⁰ _{-0,046} µm		200	G1	44,27 ⁰ _{-0,03} Cmm		44,255	Ø	C		µm
n x H on PCD J	12 Ø9 on PCD 233	Cr	12 Ø9 on PCD 233	g1	0,022	Di	0,01	Ø	D		Cr
V	289	µm	289	No-load input torque				Ø	S1		Cr
L	94	µm	94	Line 1		1,2 Nm		Ø	Y1		Pg
Ø	Q1	25 ^{+0,009} _{-0,004} µm	25,008	Noise level						@1600 rpm input (dB(A))	68,5
Ø	Q2	25 ^{+0,009} _{-0,004} µm	25,007	Torsional stiffness (Nm/arcmin)		1	243,75				
				Radial stiffness (N/µm)		1	644				

Date: 07/12/2023

Visa: C DE MIRANDA

Version: A

Product images are for illustrative purposes only.