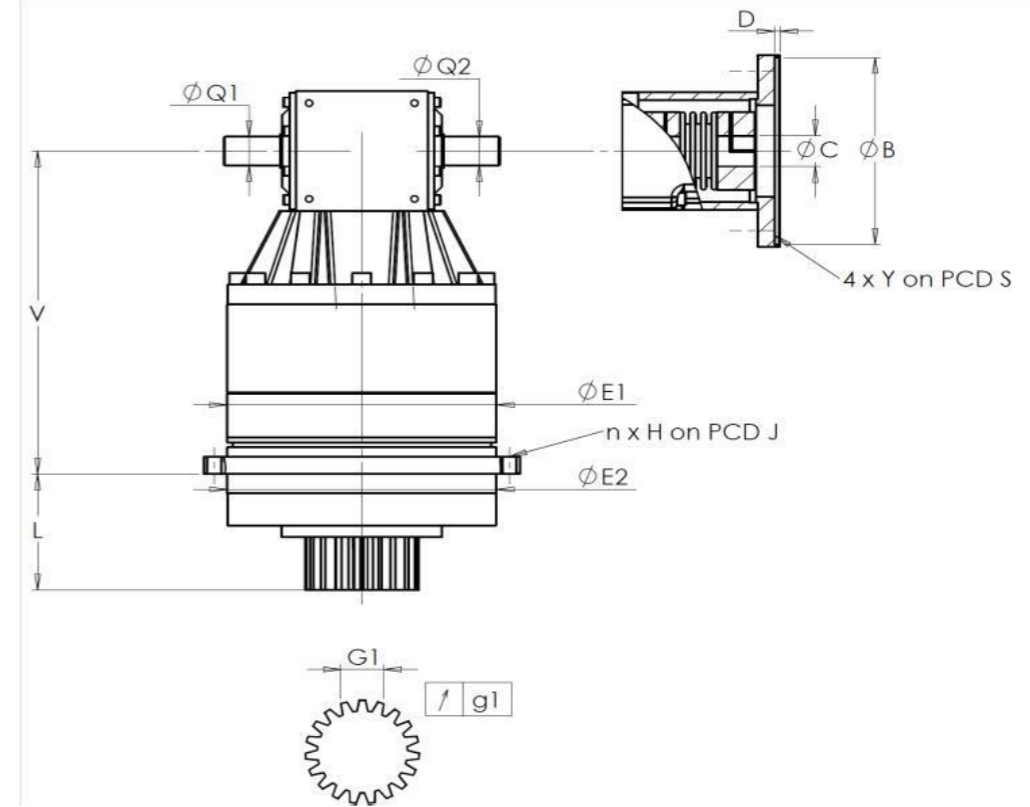


CUSTOMER: YONG JU PRECISION TECHNOLOGY CUSTOMER ORDER REF: RX112305T YONG JU  
 DISTRIBUTOR: REDEX ORDER REF: 217819  
 DESIGNATION: KRP2.R1.31.4.H SERIAL NUMBER: 908217  
 CODE: RX133930-12 MOTOR FLANGE CODE:

EXTERNAL DIMENSIONS & INTERFACES: SN: 908217



For the installation, please refer to User Manual KRP (182/008)

SPECIFIC REMARKS:

General tolerance: Js13 Cmm Automatic / manual coordinate-measuring machine μm Micrometer Cr Calliper rule Di Dial indicator Pg Plug gauge

HOUSING				OUTPUT PINION				MOTOR FLANGE			
requirement		measure		requirement		measure		requirement		measure	
		G1486				F4821				-	
E1	212h7 <sup>0</sup> <sub>-0,046</sub> μm		211,97	Span dimension over 4 teeth				∅	B		μm
E2	200h7 <sup>0</sup> <sub>-0,046</sub> μm		199,97	G1	44,27 <sup>0</sup> <sub>-0,03</sub> Cmm		44,25	∅	C		μm
n x H on PCD J	12 ∅9 on PCD 233	Cr	12 ∅9 on PCD 233	g1	0,022	Di	0,01	∅	D		Cr
V	289	μm	289,44	No-load input torque				∅	S1		Cr
L	94	μm	93,86	Line 1		0,8 Nm		∅	Y1		Pg
∅ Q1	25 <sup>+0,009</sup> <sub>-0,004</sub> μm		25,006	Noise level						@1600 rpm input (dB(A))	67,0
∅ Q2	25 <sup>+0,009</sup> <sub>-0,004</sub> μm		25,008	Torsional stiffness (Nm/arcmin)		1	243,75				
				Radial stiffness (N/μm)		1	616				

Date: 20/12/2023

Visa: C DE MIRANDA

Version: A

Product images are for illustrative purposes only.