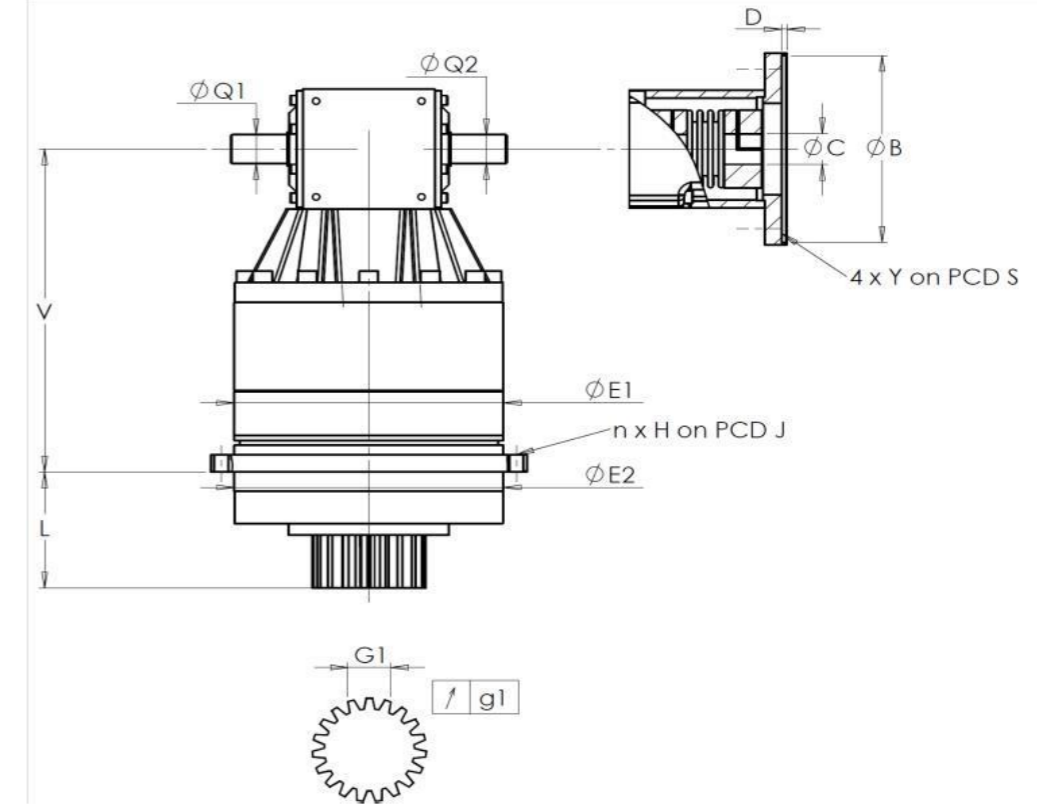


CUSTOMER: TALLERES MITXELENA S. COOF CUSTOMER ORDER REF: *P23/16179 MITXELENA
 DISTRIBUTOR: REDEX ORDER REF: 218142
 DESIGNATION: KRP3+R.31.4.H SERIAL NUMBER: 908175
 CODE: RX128565-12 MOTOR FLANGE CODE: RX131911-00

EXTERNAL DIMENSIONS & INTERFACES: SN: 908175



For the installation, please refer to User Manual KRP (182/008)

SPECIFIC REMARKS:

General tolerance: Js13 Cmm Automatic / manual coordinate-measuring machine μm Micrometer Cr Calliper rule Di Dial indicator Pg Plug gauge

HOUSING				OUTPUT PINION				MOTOR FLANGE			
requirement		measure		requirement		measure		requirement		measure	
		G1024				F5185					
E1	255h7 ⁰ _{-0,052} μm		254,98	Span dimension over 3 teeth				∅ B	140G7 ^{+0,054} _{+0,014} μm		140,02
E2	255h7 ⁰ _{-0,052} μm		254,98	G1	39,25 ⁰ _{-0,03} Cmm		39,23	∅ C	30F7 ^{+0,041} _{+0,020} μm		30,04
n x H on PCD J	16 ∅13,5 on PCD 280	Cr	16 ∅13,5 on PCD 280	g1	0,022	Di	0,01	D	-	Cr	
V	337	μm	337,18	No-load input torque				∅ S1	-	Cr	
L	121	μm	120,98	Line 1		1,2 Nm		∅ Y1	-	Pg	
∅ Q1	30 ^{+0,009} _{-0,004} μm		30,004	Noise level				@1600 rpm input (dB(A))		67,5	
∅ Q2	30 ^{+0,009} _{-0,004} μm		30,006	Torsional stiffness (Nm/arcmin)		1	473,03				
				Radial stiffness (N/μm)		1	1039				

Date: 15/12/2023

Visa: C DE MIRANDA

Version: A

Product images are for illustrative purposes only.