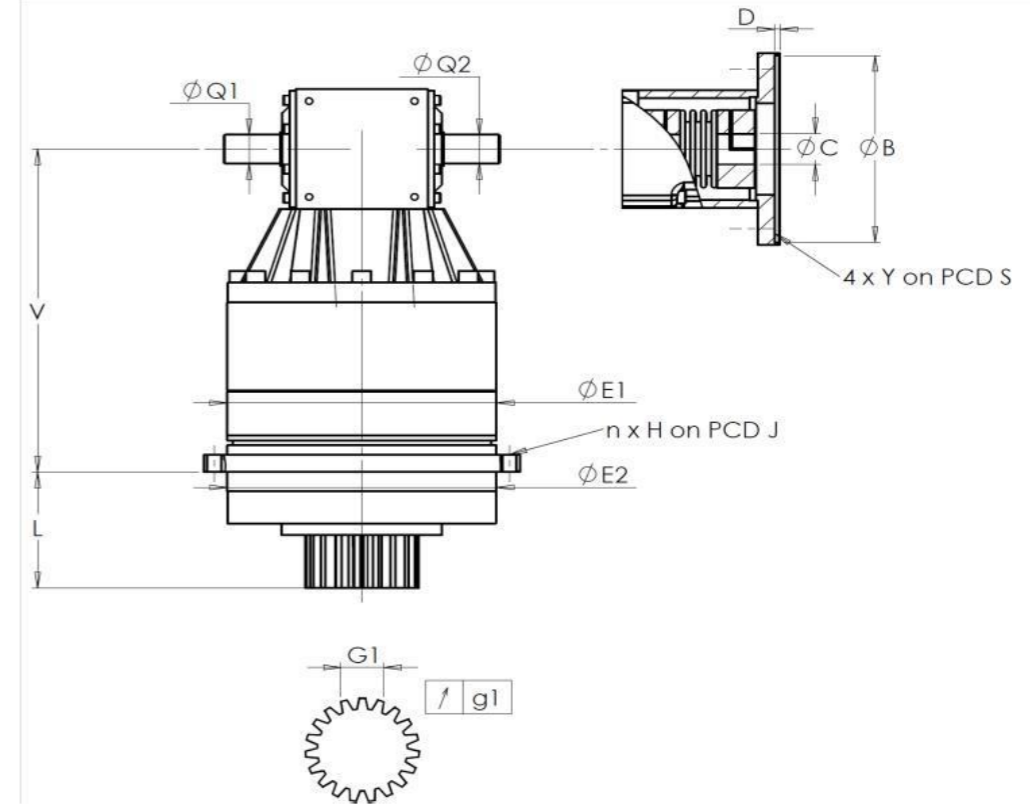


CUSTOMER: METALIMPEX CUSTOMER ORDER REF: -ZD/R/001/07/23 METALIMPEX
 DISTRIBUTOR: GUEDEL SP Z.O.O REDEX ORDER REF: 218100
 DESIGNATION: KRP4+R.91.4.H SERIAL NUMBER: 908160
 CODE: RX129176-33 MOTOR FLANGE CODE:

EXTERNAL DIMENSIONS & INTERFACES: SN: 908160



For the installation, please refer to User Manual KRP (182/008)

SPECIFIC REMARKS:

General tolerance: Js13 Cmm Automatic / manual coordinate-measuring machine μm Micrometer Cr Calliper rule Di Dial indicator Pg Plug gauge

HOUSING				OUTPUT PINION				MOTOR FLANGE					
requirement		measure		requirement		measure		requirement		measure			
		G2060				F5567				-			
E1	285h7 ⁰ _{-0,052} μm		284,95	Span dimension over 3 teeth				∅	B		μm		
E2	285h7 ⁰ _{-0,052} μm		284,97	G1	46,9 ⁰ _{-0,03} Cmm		46,885	∅	C		μm		
n x H on PCD J	16 ∅14 on PCD 310	Cr	16 ∅14 on PCD 310	g1	0,022	Di	0,01		D		Cr		
V	414,3	μm	414,16	No-load input torque				∅	S1		Cr		
L	141	μm	140,91	Line 1				2,5 Nm		∅	Y1	Pg	
∅ Q1	35 ^{+0,011} _{-0,005} μm		35,005					Noise level					
∅ Q2	35 ^{+0,011} _{-0,005} μm		35,005					Line		Stiffness		@1300 rpm input (dB(A))	64,5
				Torsional stiffness (Nm/arcmin)		1		574,81					
				Radial stiffness (N/μm)		1		1250					

Date: 02/12/2023

Visa: P VASLIER

Version: A

Product images are for illustrative purposes only.