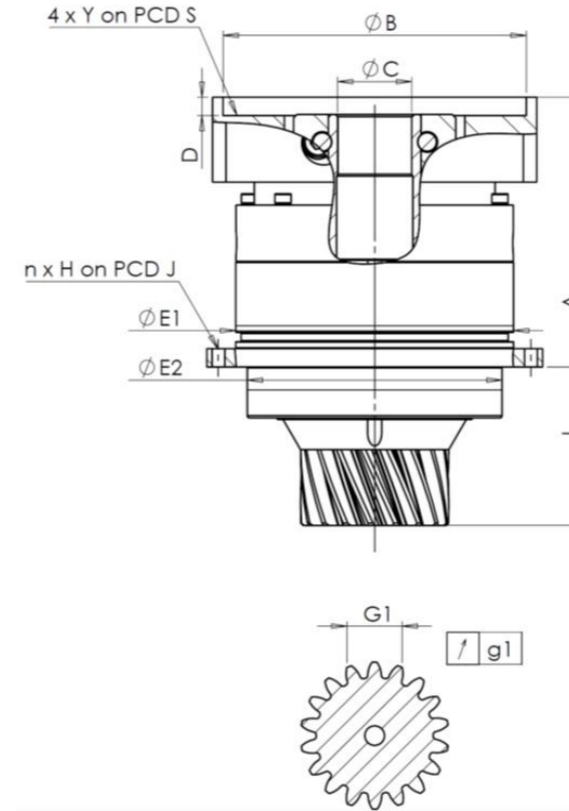


CUSTOMER: **UNIOR** CUSTOMER ORDER REF: **UNIOR DEUTSCHLAND GMBH**  
 DISTRIBUTOR: **REDEX ORDER REF: 218290**  
 DESIGNATION: **KRP0+M.5.3.143H.B5.22/32** SERIAL NUMBER: **908145**  
 CODE: **RX135918-01** MOTOR FLANGE CODE: **RX128707-07**

EXTERNAL DIMENSIONS & INTERFACES: SN: **908145**



General tolerance: Js13 Cmm Automatic / manual coordinate-measuring machine µm Micrometer Cr Calliper rule Di Dial indicator Pg Plug gauge

For the installation, please refer to User Manual KRP (182/008)

SPECIFIC REMARKS:

HOUSING				OUTPUT PINION				MOTOR FLANGE					
requirement		measure		requirement		measure		requirement		measure			
		H1964				G1445							
Ø	E1	120h7 <sup>0</sup> <sub>-0,035</sub>	µm	119,995	Span dimension over 3 teeth				Ø	B	131	µm	131
Ø	E2	110h7 <sup>0</sup> <sub>-0,035</sub>	µm	109,995	G1	23,466 <sup>-0,071</sup> <sub>-0,082</sub>	Cmm	23,388	Ø	C	32 <sup>+0,05</sup> <sub>+0,025</sub>	µm	32,025
n x H on PCD J		8Ø5,5 on PCD 135	Cr	8Ø5,5 on PCD 135	g1	0,021	Di	0,015	Ø	D	8	Cr	8,49
A		128,5	µm	128,83	No-load input torque				Ø	S1	165	Cr	165
L		69	µm	69,28	Line 1				Ø	Y1	M10	Pg	M10

Noise level			
	Line	Stiffness	1600 rpm input (dB(A))
Torsional stiffness (Nm/arcmin)	1	40	69,5
Radial stiffness (N/µm)	1	160	

Date: **24/10/2023**

Visa: **C DE MIRANDA**

Version: **A**

Product images are for illustrative purposes only.