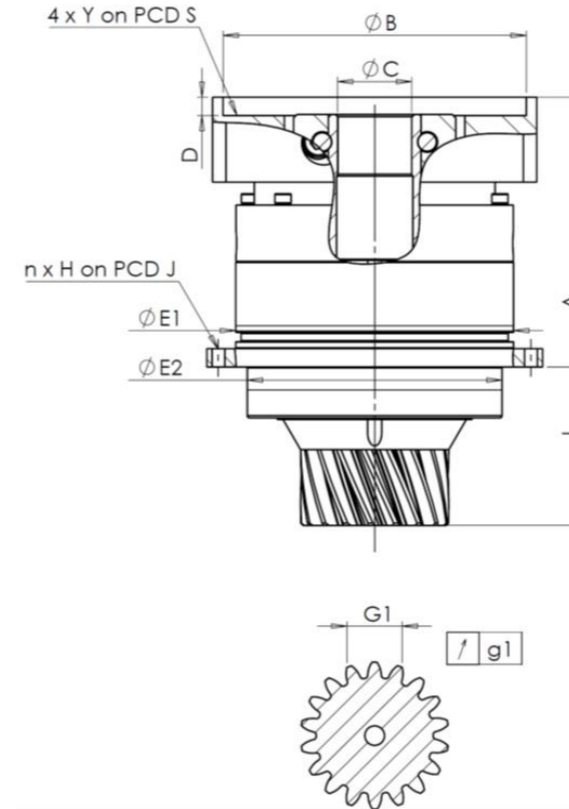


CUSTOMER: **UNIOR** CUSTOMER ORDER REF: **UNIOR DEUTSCHLAND GMBH**
 DISTRIBUTOR: **REDEX ORDER REF: 218290**
 DESIGNATION: **KRP0+M.5.3.143H.B5.22/32** SERIAL NUMBER: **908144**
 CODE: **RX135918-01** MOTOR FLANGE CODE: **RX128707-07**

EXTERNAL DIMENSIONS & INTERFACES: SN: **908144**



General tolerance: Js13 Cmm Automatic / manual coordinate-measuring machine µm Micrometer Cr Calliper rule Di Dial indicator Pg Plug gauge

For the installation, please refer to User Manual KRP (182/008)

SPECIFIC REMARKS:

HOUSING					OUTPUT PINION				MOTOR FLANGE					
requirement		measure			requirement		measure		requirement		measure			
		H1948					G1441							
Ø	E1	120h7 ⁰ _{-0,035}	µm	119,995	Span dimension over 3 teeth				Ø	B	131	µm	131	
Ø	E2	110h7 ⁰ _{-0,035}	µm	109,995	G1	23,466 ^{-0,071} _{-0,082}	Cmm	23,388	Ø	C	32 ^{+0,05} _{+0,025}	µm	32,025	
n x H on PCD J		8Ø5,5 on PCD 135	Cr	8Ø5,5 on PCD 135	g1	0,021	Di	0,01	Ø	D	8	Cr	8,39	
		A	128,5	µm	128,66	No-load input torque				Ø	S1	165	Cr	165
		L	69	µm	69,42	Line 1				Ø	Y1	M10	Pg	M10

Noise level			
		Line	Stiffness
		1600 rpm input (dB(A))	
		70,5	
Torsional stiffness (Nm/arcmin)	1	40	
Radial stiffness (N/µm)	1	160	

Date: **24/10/2023**

Visa: **C DE MIRANDA**

Version: **A**

Product images are for illustrative purposes only.