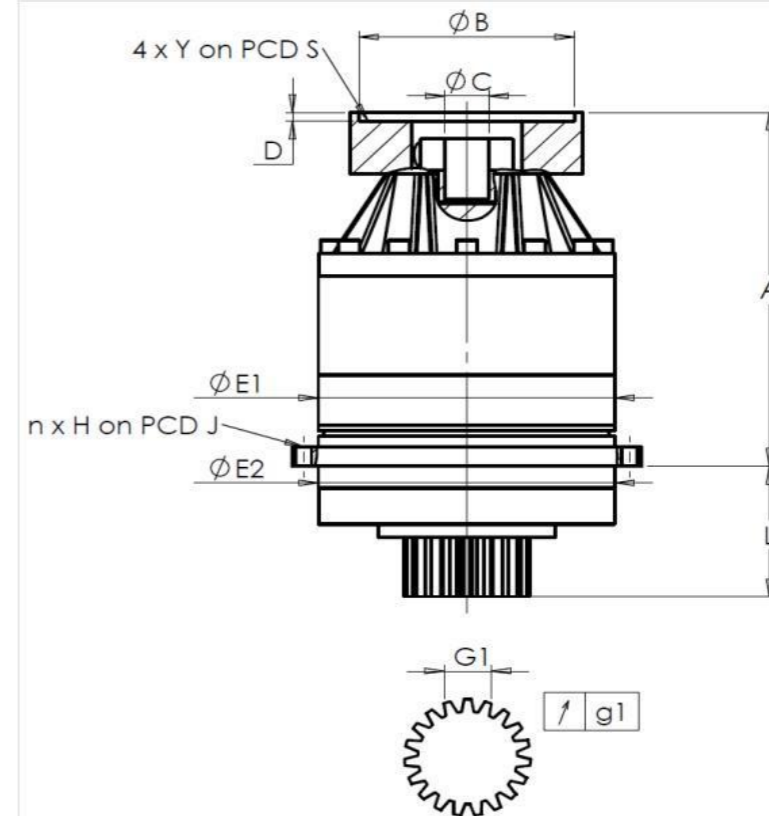


CUSTOMER: **CHR** CUSTOMER ORDER REF: ***RXCN2023062942 CHR**
 DISTRIBUTOR: **REDEX SHANGHAI REPAIRING** REDEX ORDER REF: **217972**
 DESIGNATION: **KRP5+M.91.3.S.22/32** SERIAL NUMBER: **908136**
 CODE: **RX135359-33** MOTOR FLANGE CODE: **RX135358-00**

EXTERNAL DIMENSIONS & INTERFACES: SN: **908136**



For the installation, please refer to User Manual KRP (182/008)

SPECIFIC REMARKS:

General tolerance: Js13 Cmm Automatic / manual coordinate-measuring machine µm Micrometer Cr Calliper rule Di Dial indicator Pg Plug gauge

HOUSING				OUTPUT PINION				MOTOR FLANGE				
requirement		measure		requirement		measure		requirement		measure		
		G2071				F3372						
E1	355j6 ^{+0,018} / _{-0,018}	µm	354,99	Span dimension over 3 teeth				Ø	B	111	µm	111
E2	355j6 ^{+0,018} / _{-0,018}	µm	354,985	G1	62,54 ⁰ / _{-0,05}	Cmm	62,515	Ø	C	32F7 ^{+0,05} / _{+0,025}	µm	32,04
n x H on PCD J	12 Ø17,5 on PCD 385	Cr	12 Ø17,5 on PCD 385	g1	0,03	Di	0,02	Ø	D	13	Cr	13,5
A	421	µm	421,93	No-load input torque				Ø	S1	130	Cr	130
L	178	µm	177,75	Line 1		1 Nm		Ø	Y1	4xM8	Pg	4xM8

Noise level			
	Line	Stiffness	@1000 rpm input (dB(A))
Torsional stiffness (Nm/arcmin)	1	1076,47	57,0
Radial stiffness (N/µm)	1	1296	

Date: **25/01/2024**

Visa: **C DE MIRANDA**

Version: **A**

Product images are for illustrative purposes only.