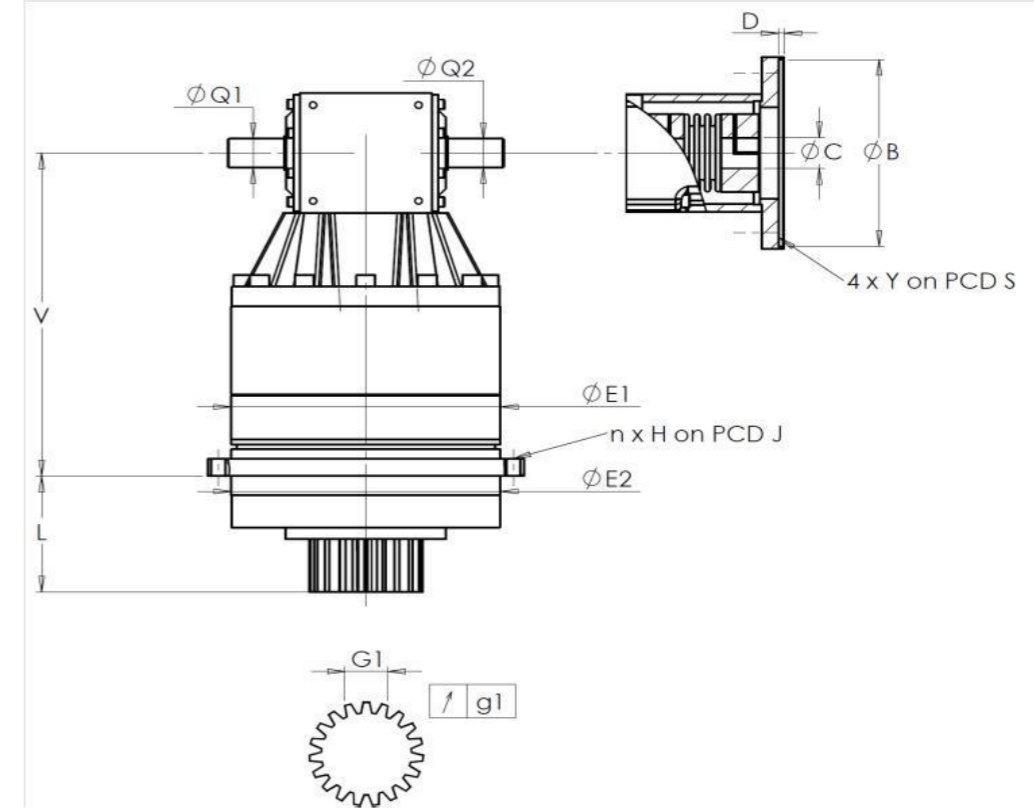


CUSTOMER: **SEOHAN** CUSTOMER ORDER REF: **\*YOM2305-03 SEOHAN**  
 DISTRIBUTOR: **YE-JOON MTS CORP** REDEX ORDER REF: **217871**  
 DESIGNATION: **KRP3+R.91.4.S** SERIAL NUMBER: **908115**  
 CODE: **RX129504-33** MOTOR FLANGE CODE:

EXTERNAL DIMENSIONS & INTERFACES: SN: **908115**



For the installation, please refer to User Manual KRP (182/008)

SPECIFIC REMARKS:

General tolerance: Js13 Cmm Automatic / manual coordinate-measuring machine μm Micrometer Cr Calliper rule Di Dial indicator Pg Plug gauge

HOUSING				OUTPUT PINION				MOTOR FLANGE			
requirement		measure		requirement		measure		requirement		measure	
		G571				L1093				-	
E1	255h7 <sup>0</sup> <sub>-0,052</sub> μm		254,99	Span dimension over 3 teeth				∅	B		μm
E2	255h7 <sup>0</sup> <sub>-0,052</sub> μm		254,99	G1	39,25 <sup>0</sup> <sub>-0,03</sub> Cmm		39,23	∅	C		μm
n x H on PCD J	16 ∅13,5 on PCD 280	Cr	16 ∅13,5 on PCD 280	g1	0,022	Di	0,01	∅	D		Cr
V	337	μm	337,21	No-load input torque				∅	S1		Cr
L	121	μm	121,02	Line 1		0,8 Nm		∅	Y1		Pg
∅ Q1	30 <sup>+0,009</sup> <sub>-0,004</sub> μm		30,002	Noise level						@1600 rpm input (dB(A))	67,0
∅ Q2	30 <sup>+0,009</sup> <sub>-0,004</sub> μm		30,002			Line	Stiffness				
				Torsional stiffness (Nm/arcmin)		1	473,03				
				Radial stiffness (N/μm)		1	877				

Date: **06/11/2023**

Visa: **C DE MIRANDA**

Version: **A**

Product images are for illustrative purposes only.