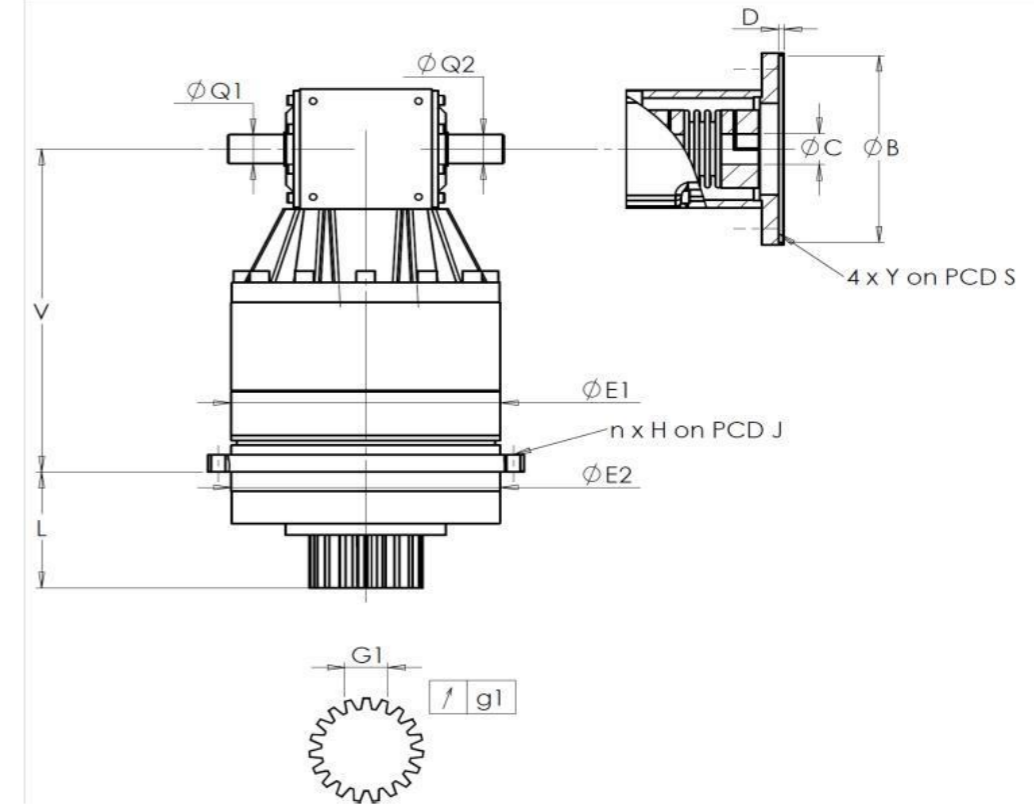


CUSTOMER: **YONG JU PRECISION** CUSTOMER ORDER REF: **\*RX112314T YONG JU**  
 DISTRIBUTOR: **REDEX ORDER REF: 217942**  
 DESIGNATION: **KRP3+R.31.4.H** SERIAL NUMBER: **908105**  
 CODE: **RX128565-12** MOTOR FLANGE CODE:

EXTERNAL DIMENSIONS & INTERFACES: SN: **908105**



For the installation, please refer to User Manual KRP (182/008)

SPECIFIC REMARKS:

General tolerance: Js13 Cmm Automatic / manual coordinate-measuring machine μm Micrometer Cr Calliper rule Di Dial indicator Pg Plug gauge

HOUSING				OUTPUT PINION				MOTOR FLANGE			
requirement		measure		requirement		measure		requirement		measure	
		G570				F2710				-	
E1	255h7 <sup>0</sup> <sub>-0,052</sub> μm		254,985	Span dimension over 3 teeth				∅	B		μm
E2	255h7 <sup>0</sup> <sub>-0,052</sub> μm		254,985	G1	39,25 <sup>0</sup> <sub>-0,03</sub> Cmm		39,23	∅	C		μm
n x H on PCD J	16 ∅13,5 on PCD 280	Cr	16 ∅13,5 on PCD 280	g1	0,022	Di	0,01		D		Cr
V	337	μm	337,24	No-load input torque				∅	S1		Cr
L	121	μm	120,95	Line 1		1,5 Nm		∅	Y1		Pg
∅ Q1	30 <sup>+0,009</sup> <sub>-0,004</sub> μm		29,997	Noise level						@1600 rpm input (dB(A))	66,5
∅ Q2	30 <sup>+0,009</sup> <sub>-0,004</sub> μm		30,004	Torsional stiffness (Nm/arcmin)		1	473,03				
				Radial stiffness (N/μm)		1	1141				

Date: **14/11/2023**

Visa: **C DE MIRANDA**

Version: **A**

Product images are for illustrative purposes only.