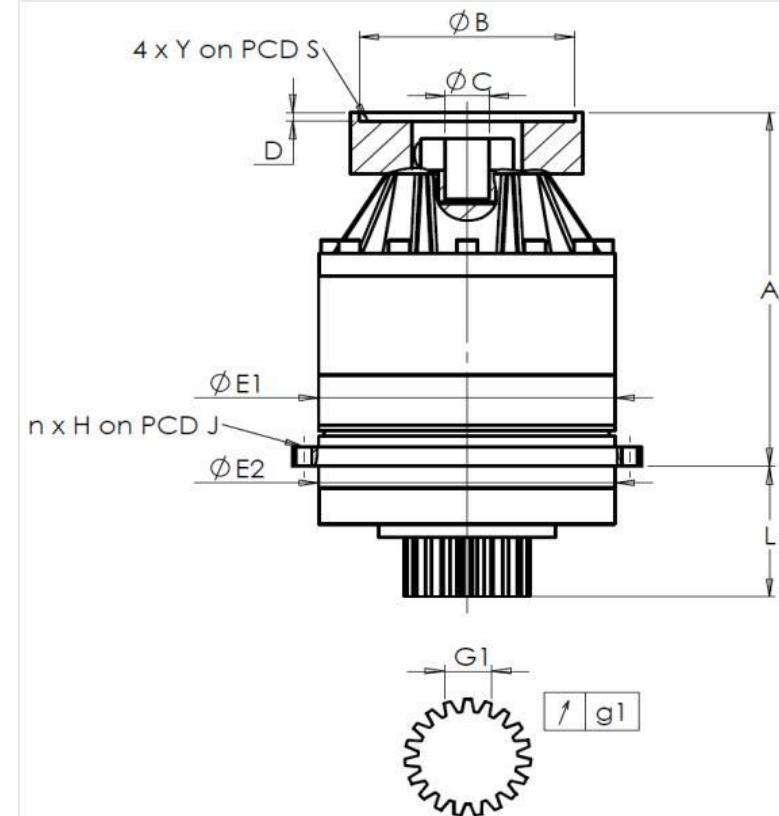


CUSTOMER: HARBIN ELECTRIC CUSTOMER ORDER REF: *RXCN2023052432 HARBIN ELECTRIC
 DISTRIBUTOR: REDEX SHANGHAI REPAIRING REDEX ORDER REF: 217888
 DESIGNATION: KRP4+M.91.3.H.35/48 SERIAL NUMBER: 908088
 CODE: RX128414-33 MOTOR FLANGE CODE: RX128583-01

EXTERNAL DIMENSIONS & INTERFACES: SN: 908088



General tolerance: Js13 Cmm Automatic / manual coordinate-measuring machine µm Micrometer Cr Calliper rule Di Dial indicator Pg Plug gauge

For the installation, please refer to User Manual KRP (182/008)

SPECIFIC REMARKS:

HOUSING				OUTPUT PINION				MOTOR FLANGE			
requirement		measure		requirement		measure		requirement		measure	
		G4102				F5547					
E1	285h7 ⁰ _{-0,052} µm		284,96	Span dimension over 3 teeth				Ø B	181 µm		181
E2	285h7 ⁰ _{-0,052} µm		284,97	G1	46,9 ⁰ _{-0,03} Cmm		46,875	Ø C	38 ^{+0,05} _{+0,025} µm		38,04
n x H on PCD J	16 Ø14 on PCD 310	Cr	16 Ø14 on PCD 310	g1	0,022	Di	0,01	Ø S1	215	Cr	215
A	373,5 µm		374,18	No-load input torque				Ø Y1	M12	Pg	M12
L	141 µm		140,72	Line 1		0,5 Nm					

Noise level			
	Line	Stiffness	@1300 rpm input (dB(A))
Torsional stiffness (Nm/arcmin)	1	574,81	58,0
Radial stiffness (N/µm)	1	1027	

Date: 16/10/2023

Visa: C DE MIRANDA

Version: A

Product images are for illustrative purposes only.