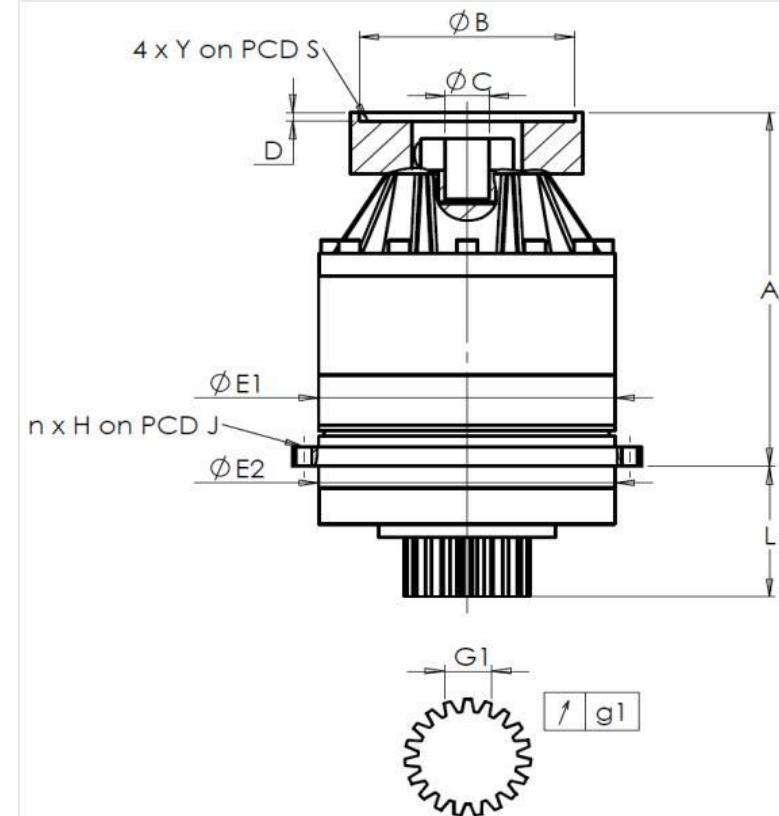


CUSTOMER: **HARBIN ELECTRIC** CUSTOMER ORDER REF: ***RXCN2023052432 HARBIN ELECTRIC**
 DISTRIBUTOR: **REDEX SHANGHAI REPAIRING** REDEX ORDER REF: **217888**
 DESIGNATION: **KRP4+M.91.3.H.35/48** SERIAL NUMBER: **908087**
 CODE: **RX128414-33** MOTOR FLANGE CODE: **RX128583-01**

EXTERNAL DIMENSIONS & INTERFACES: SN: **908087**



General tolerance: Js13 Cmm Automatic / manual coordinate-measuring machine µm Micrometer Cr Calliper rule Di Dial indicator Pg Plug gauge

For the installation, please refer to User Manual KRP (182/008)

SPECIFIC REMARKS:

| HOUSING | | | | OUTPUT PINION | | | | MOTOR FLANGE | | | |
|----------------|---|-------------------|-----------------------------|--|--------|---------|--|--------------|-----|---------|--|
| requirement | | measure | | requirement | | measure | | requirement | | measure | |
| | | G4093 | | | | F5546 | | | | | |
| E1 | 285h7 ⁰ _{-0,052} µm | 284,965 | Span dimension over 3 teeth | | | | Ø B | 181 µm | 181 | | |
| E2 | 285h7 ⁰ _{-0,052} µm | 284,97 | G1 | 46,9 ⁰ _{-0,03} Cmm | 46,88 | Ø C | 38 ^{+0,05} _{+0,025} µm | 38,04 | | | |
| n x H on PCD J | 16 Ø14 on PCD 310 | 16 Ø14 on PCD 310 | g1 | 0,022 | Di | 0,01 | Ø S1 | 215 | Cr | 215 | |
| A | 373,5 µm | 374,16 | No-load input torque | | | | Ø Y1 | M12 | Pg | M12 | |
| L | 141 µm | 140,77 | Line 1 | | 0,5 Nm | | | | | | |

| Noise level | | |
|---------------------------------|------|-----------|
| | Line | Stiffness |
| Torsional stiffness (Nm/arcmin) | 1 | 574,81 |
| Radial stiffness (N/µm) | 1 | 1149 |

| Noise level | |
|-------------------------|------|
| @1300 rpm input (dB(A)) | 57,0 |

Date: **16/10/2023**

Visa: **C DE MIRANDA**

Version: **A**

Product images are for illustrative purposes only.