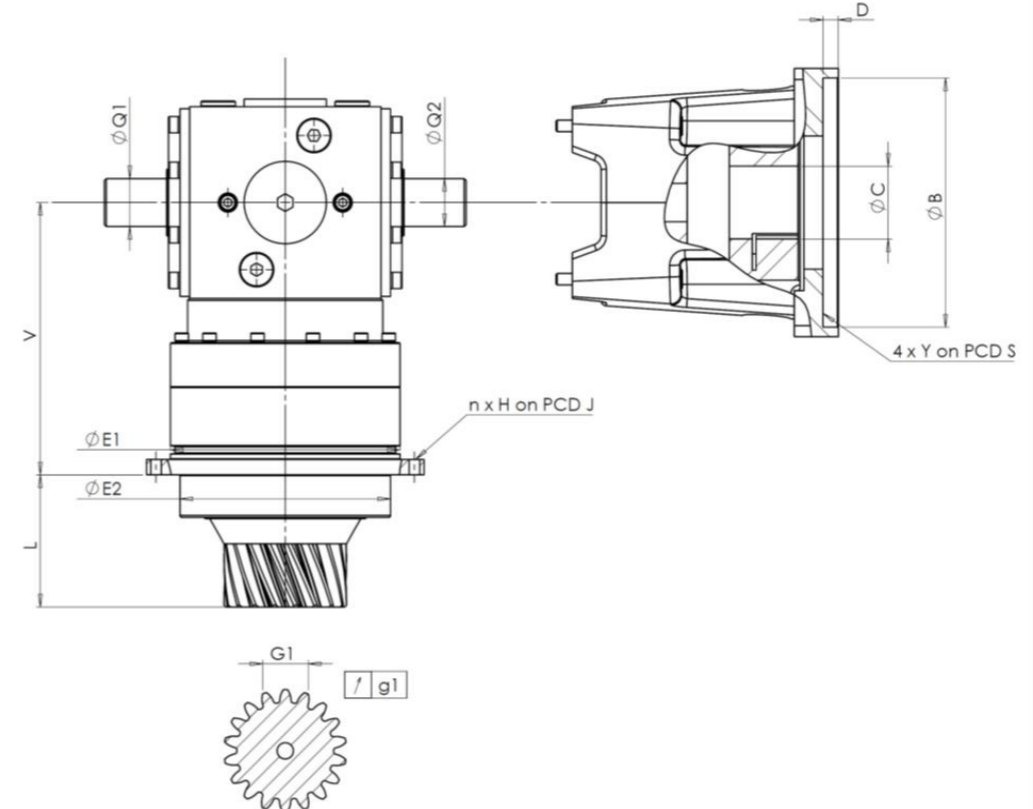


CUSTOMER: FERROCAM CUSTOMER ORDER REF: *390 CON 676 FERROCAM
 DISTRIBUTOR: ANDANTEX S.r.l REDEX ORDER REF: 217932
 DESIGNATION: KRP0+R.10.4.143H.V1/B5 SERIAL NUMBER: 908026
 CODE: RX135896-03 MOTOR FLANGE CODE:

EXTERNAL DIMENSIONS & INTERFACES: SN: 908026



For the installation, please refer to User Manual KRP (182/008)

SPECIFIC REMARKS:

General tolerance: Js13 Cmm Automatic / manual coordinate-measuring machine µm Micrometer Cr Calliper rule Di Dial indicator Pg Plug gauge

HOUSING				OUTPUT PINION				MOTOR FLANGE				
requirement		measure		requirement		measure		requirement		measure		
		H1962				G1466				-		
Ø	E1	120h7 ⁰ _{-0,035}	µm	119,99	Span dimension over 3 teeth				Ø	B	µm	
Ø	E2	110h7 ⁰ _{-0,035}	µm	109,98	G1	23,466 ^{-0,071} _{-0,082}	Cmm	23,39	Ø	C	µm	
n x H on PCD J		8Ø5,5 on PCD 135	Cr	8Ø5,5 on PCD 135	g1	0,021	Di	0,015	Ø	D	Cr	
V		142	µm	142,14	No-load input torque				Ø	S1	Cr	
L		69	µm	69,33	Line 1		0,2 Nm		Ø	Y1	Pg	
Ø	Q1	25 ^{+0,009} _{-0,004}	µm	25,002					Noise level			
Ø	Q2	25 ^{+0,009} _{-0,004}	µm	25,002			Line	Stiffness	1600 rpm input (dB(A))		67,0	
				Torsional stiffness (Nm/arcmin)		1	40					
				Radial stiffness (N/µm)		1	160					

Date: 26/10/2023

Visa: C DE MIRANDA

Version: A

Product images are for illustrative purposes only.