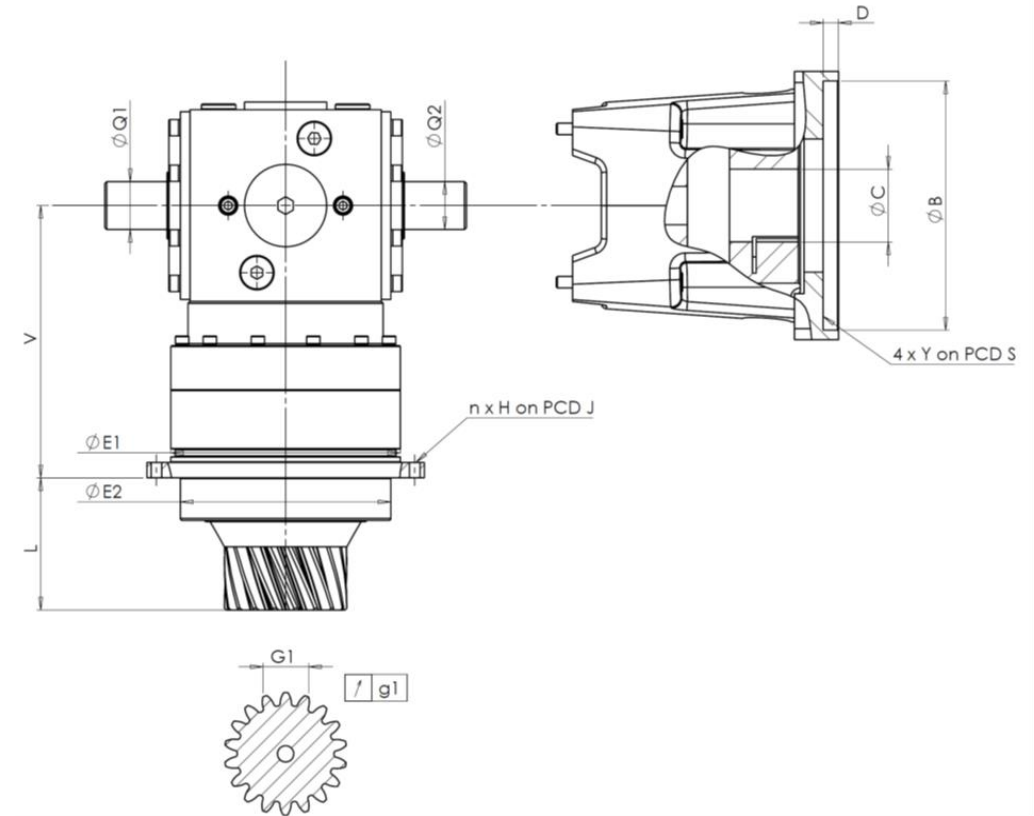


CUSTOMER: FERROCAM CUSTOMER ORDER REF: *390 CON 676 FERROCAM
 DISTRIBUTOR: ANDANTEX S.r.l REDEX ORDER REF: 217932
 DESIGNATION: KRP0+R.10.4.143H.V1/B5 SERIAL NUMBER: 908024
 CODE: RX135896-03 MOTOR FLANGE CODE: RX129627-02

EXTERNAL DIMENSIONS & INTERFACES: SN: 908024



For the installation, please refer to User Manual KRP (182/008)

SPECIFIC REMARKS:

General tolerance: Js13 Cmm Automatic / manual coordinate-measuring machine µm Micrometer Cr Calliper rule Di Dial indicator Pg Plug gauge

HOUSING				OUTPUT PINION				MOTOR FLANGE					
requirement		measure		requirement		measure		requirement		measure			
		H1983				G1449				G4058			
Ø	E1	120h7 ⁰ _{-0,035}	µm	119,99	Span dimension over 3 teeth				Ø	B	114,3 ^{+0,047} _{+0,012}	µm	114,32
Ø	E2	110h7 ⁰ _{-0,035}	µm	109,99	G1	23,466 ^{-0,071} _{-0,082}	Cmm	23,39	Ø	C	35 ^{+0,05} _{+0,025}	µm	35,025
n x H on PCD J		8Ø5,5 on PCD 135	Cr	8Ø5,5 on PCD 135	g1	0,021	Di	0,01	Ø	D	8	Cr	8,1
V		142	µm	142,11	No-load input torque				Ø	S1	200	Cr	200
L		69	µm	69,43	Line 1		0,2 Nm		Ø	Y1	M12	Pg	M12
Ø	Q1	25 ^{+0,009} _{-0,004}	µm	24,999	Noise level				1600 rpm input (dB(A))		70,5		
Ø	Q2	25 ^{+0,009} _{-0,004}	µm	25,003	Line		Stiffness						
				Torsional stiffness (Nm/arcmin)		1	40						
				Radial stiffness (N/µm)		1	160						

Date: 26/10/2023

Visa: C DE MIRANDA

Version: A

Product images are for illustrative purposes only.