

**CUSTOMER:** KARATS      **CUSTOMER ORDER REF:** \*SFI22000334IB1 KARATS

**DISTRIBUTOR:** S & F INC      **REDEX ORDER REF:** 217863

**DESIGNATION:** KRPX4+M.61.3.H.35/48      **SERIAL NUMBER:** 908022

**CODE:** RX131194-32      **MOTOR FLANGE CODE:** RX128583-06

For the installation, please refer to User Manual KRPX (182/010)

**SPECIFIC REMARKS:**

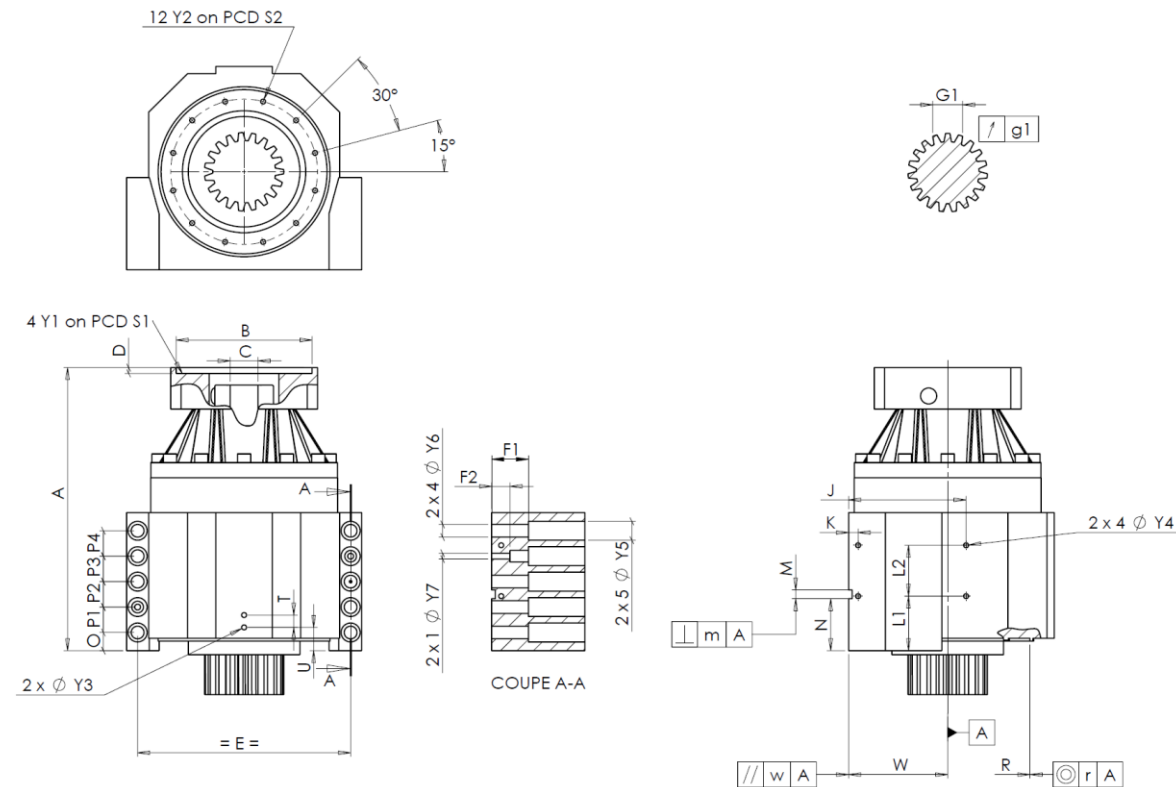
Product images are for illustrative purposes only.



1, Rue Paul De Fontenay  
F- 45210 FERRIERES  
www.redex-group.com

Tel: +33 2 38 94 42 00  
Fax: +33 2 38 94 42 99  
Email: info@redex-group.com

**EXTERNAL DIMENSIONS & INTERFACES:**      **SN:** 908022



General tolerance: Js13      Cmm      Automatic / manual coordinate-measuring machine      μm      Micrometer      Cr      Calliper rule      Di      Dial indicator      Pg      Plug gauge

HOUSING				HOUSING				MOTOR FLANGE						
requirement		measure		requirement		measure		requirement		measure				
F2492				L1	81	Cr	81	∅	B	115	μm	115		
∅	Y2	M8x16	Pg	M8x16	L2	79	Cr	79	∅	C	35	+0,05 +0,025	μm	35,03
	A	436	μm	437,09	J	185	Cr	185		D	8	Cr	8,52	
	E	320	Cr	320	K	15	Cr	15	∅	S1	200	Cr	200	
	O	20	Cr	20	2 x 4∅	Y4	M10x13	Pg	M10x13	∅	Y1	M12	Pg	M12
	P1	40	Cr	40	F1	60	Cr	60	<b>No-load input torque</b>					
	P2	40	Cr	40	F2	30	Cr	30	Line 1		0,5 Nm			
	P3	40	Cr	40	2 x 1∅	Y7	14	μm	14	<b>Line</b>			<b>Stiffness</b>	
	P4	40	Cr	40	2 x 4∅	Y6	22	μm	22	Torsional stiffness (Nm/arcmin)		1	574,81	
	T	20	Cr	20	2 x 5∅	Y5	33	μm	33	Radial stiffness (N/μm)		1	1254	
	U	37	Cr	37	M H6	15	+0,011 0	Cmm	15,008					
2 x 1∅	Y3	M10x13	Pg	M10x13	m	0,05	+0,1 -0,1	Cmm	72,567					
	R	255	+0,2 +0,1	Cmm	255,166	A	+0,035 -0,035	Cmm	158,015					
∅	r	0,1	Cmm	0,04	//	w	0,03	/A	Cmm	0,006				

OUTPUT PINION				Noise level	
G3486				@1300 rpm input (dB(A))	
<b>Span dimension over 3 teeth</b>					
	G1	46,9	0 -0,03	Cmm	46,87
↗	g1	0,022		Di	0,01

**Date:** 12/12/2023

**Visa:** C DE MIRANDA

**Version:** A



1, Rue Paul De Fontenay  
F- 45210 FERRIERES  
www.redex-group.com

Tel: +33 2 38 94 42 00  
Fax: +33 2 38 94 42 99  
Email: info@redex-group.com