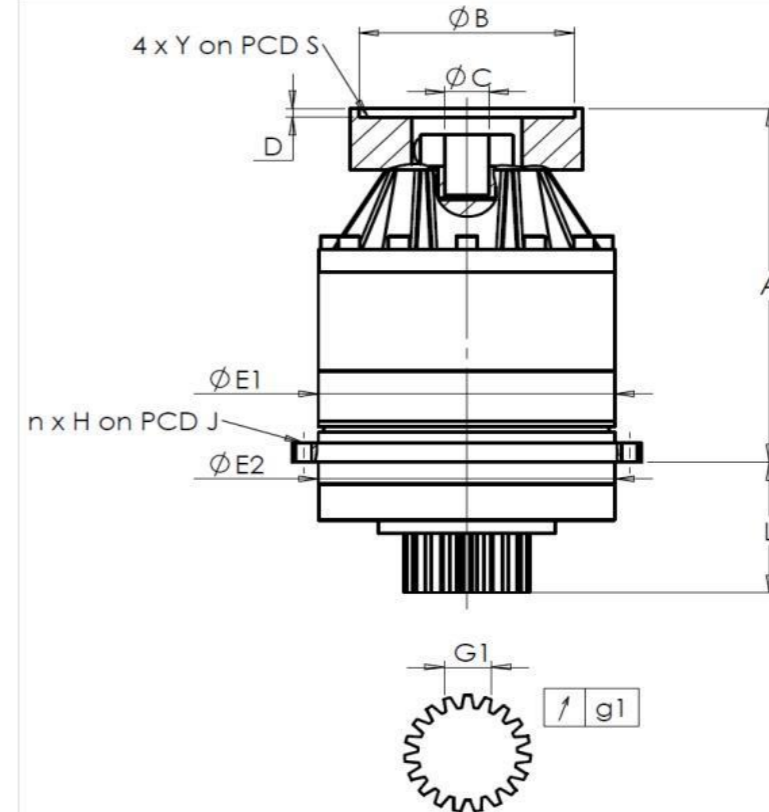


CUSTOMER: **KRC** CUSTOMER ORDER REF: ***33270-00 KRC**
 DISTRIBUTOR: **ANDANTEX INCORPORATED** REDEX ORDER REF: **217734**
 DESIGNATION: **KRP2.M1.21.3.H.28/38** SERIAL NUMBER: **907943**
 CODE: **RX133901-11** MOTOR FLANGE CODE: **RX128581-06**

EXTERNAL DIMENSIONS & INTERFACES: SN: **907943**



General tolerance: Js13 Cmm Automatic / manual coordinate-measuring machine µm Micrometer Cr Calliper rule Di Dial indicator Pg Plug gauge

For the installation, please refer to User Manual KRP (182/008)

SPECIFIC REMARKS:

HOUSING				OUTPUT PINION				MOTOR FLANGE			
requirement		measure		requirement		measure		requirement		measure	
		F3562				F3694					
E1	212h7 ⁰ _{-0,046} µm	211,98	Span dimension over 4 teeth				Ø B	181 µm	181,03		
E2	200h7 ⁰ _{-0,046} µm	200	G1	44,27 ⁰ _{-0,03} Cmm	44,25	Ø C	38 ^{+0,05} _{+0,025} µm	38,04			
n x H on PCD J	12 Ø9 on PCD 233	Cr 12 Ø9 on PCD 233	g1	0,022	Di 0,01	Ø D	8	Cr 8,5			
A	298 µm	298,73	No-load input torque				Ø S1	215	Cr 215,01		
L	94 µm	93,93	Line 1		0,7 Nm		Ø Y1	M12	Pg M12		

		Line	Stiffness	Noise level	
				@1600 rpm input (dB(A))	66,0
Torsional stiffness (Nm/arcmin)	1	243,75			
Radial stiffness (N/µm)	1	574			

Date: **22/09/2023**

Visa: **C DE MIRANDA**

Version: **A**

Product images are for illustrative purposes only.