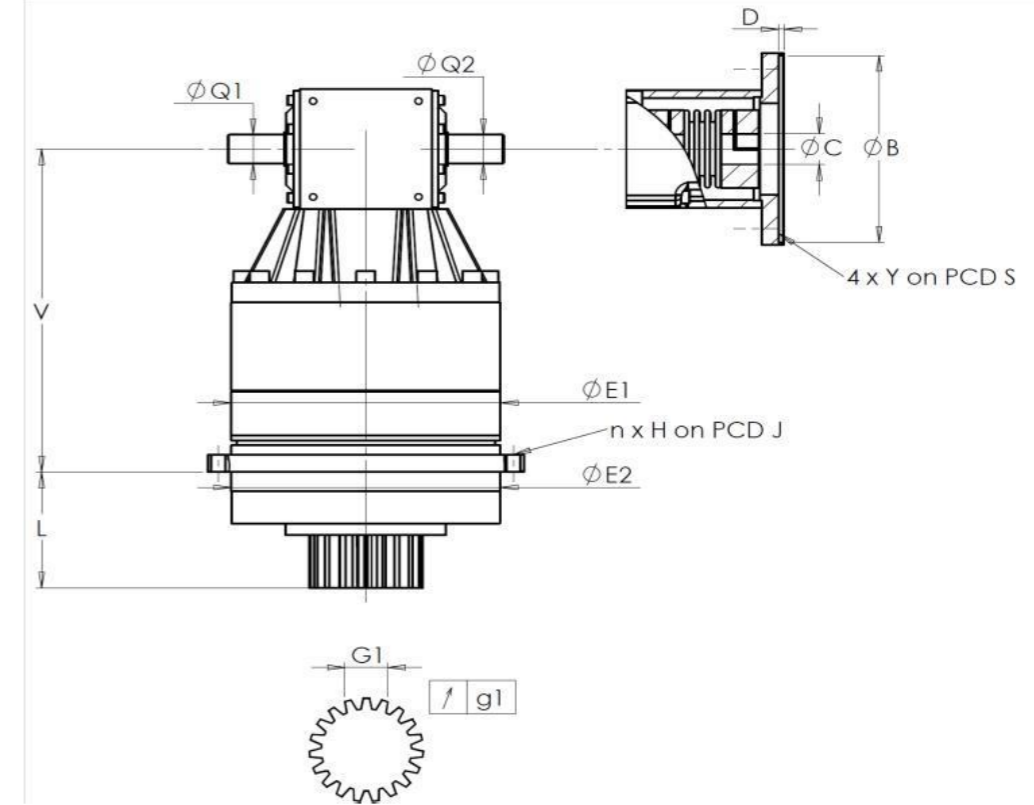


CUSTOMER: **YONG JU PRECISION TECHNOLOGY** CUSTOMER ORDER REF: **RX110307T YONG JU**
 DISTRIBUTOR: **REDEX** REDEX ORDER REF: **215645**
 DESIGNATION: **KRP3+R.31.4.H** SERIAL NUMBER: **907934**
 CODE: **RX128565-12** MOTOR FLANGE CODE:

EXTERNAL DIMENSIONS & INTERFACES: SN: **907934**



For the installation, please refer to User Manual KRP (182/008)

SPECIFIC REMARKS:

General tolerance: Js13 *Cmm* Automatic / manual coordinate-measuring machine μm Micrometer *Cr* Calliper rule *Di* Dial indicator *Pg* Plug gauge

HOUSING				OUTPUT PINION				MOTOR FLANGE			
requirement		measure		requirement		measure		requirement		measure	
		G1839				F2735				-	
E1	255h7 ⁰ _{-0,052} μm		254,98	Span dimension over 3 teeth				Ø	B		μm
E2	255h7 ⁰ _{-0,052} μm		254,98	G1	39,25 ⁰ _{-0,03} <i>Cmm</i>		39,235	Ø	C		μm
n x H on PCD J	16 Ø13,5 on PCD 280	<i>Cr</i>	16 Ø13,5 on PCD 280	g1	0,022	<i>Di</i>	0,01	Ø	D		<i>Cr</i>
V	337	μm	337,23	No-load input torque				Ø	S1		<i>Cr</i>
L	121	μm	121,02	Line 1		1,3 Nm		Ø	Y1		<i>Pg</i>
Ø	Q1	30 ^{+0,009} _{-0,004} μm	30,004	Noise level						@1600 rpm input (dB(A))	70,5
Ø	Q2	30 ^{+0,009} _{-0,004} μm	30,005			Line	Stiffness				
				Torsional stiffness (Nm/arcmin)		1	473,03				
				Radial stiffness (N/ μm)		1	955				

Date: **03/08/2023**

Visa: **C DE MIRANDA**

Version: **A**

Product images are for illustrative purposes only.