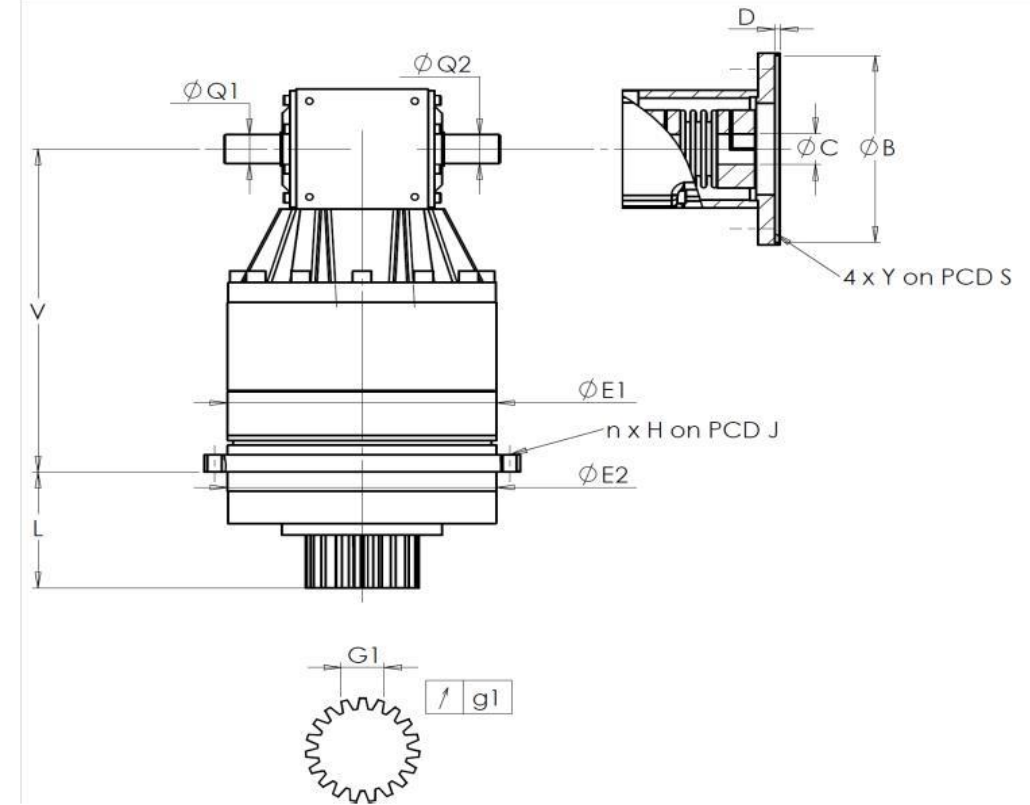


CUSTOMER: **YONG JU PRECISION TECHNOLOGY** CUSTOMER ORDER REF: **RX110307T YONG JU**
 DISTRIBUTOR: **REDEX** REDEX ORDER REF: **215645**
 DESIGNATION: **KRP3+R.31.4.H** SERIAL NUMBER: **907933**
 CODE: **RX128565-12** MOTOR FLANGE CODE:

EXTERNAL DIMENSIONS & INTERFACES: SN: **907933**



For the installation, please refer to User Manual KRP (182/008)

SPECIFIC REMARKS:

General tolerance: Js13 Cmm Automatic / manual coordinate-measuring machine μm Micrometer Cr Calliper rule Di Dial indicator Pg Plug gauge

HOUSING				OUTPUT PINION				MOTOR FLANGE			
requirement	measure	requirement	measure	requirement	measure	requirement	measure				
	G1841		F2727								
E1	255h7 ⁰ _{-0,052} μm	254,99	Span dimension over 3 teeth				∅	B	μm		
E2	255h7 ⁰ _{-0,052} μm	254,99	G1	39,25 ⁰ _{-0,03} Cmm	39,23	∅	C	μm			
n x H on PCD J	16 ∅13,5 on PCD 280	Cr	g1	0,022	Di	0,01	∅	S1	Cr		
V	337	μm	No-load input torque				∅	Y1	Pg		
L	121	μm	Line 1				0,8 Nm				
∅ Q1	30 ^{+0,009} _{-0,004} μm	29,999					Noise level				
∅ Q2	30 ^{+0,009} _{-0,004} μm	30,008					@1600 rpm input (dB(A))				
				Line		Stiffness		68,5			
				Torsional stiffness (Nm/arcmin)		1		473,03			
				Radial stiffness (N/μm)		1		920			

Date: **03/08/2023**

Visa: **C DE MIRANDA**

Version: **A**

Product images are for illustrative purposes only.