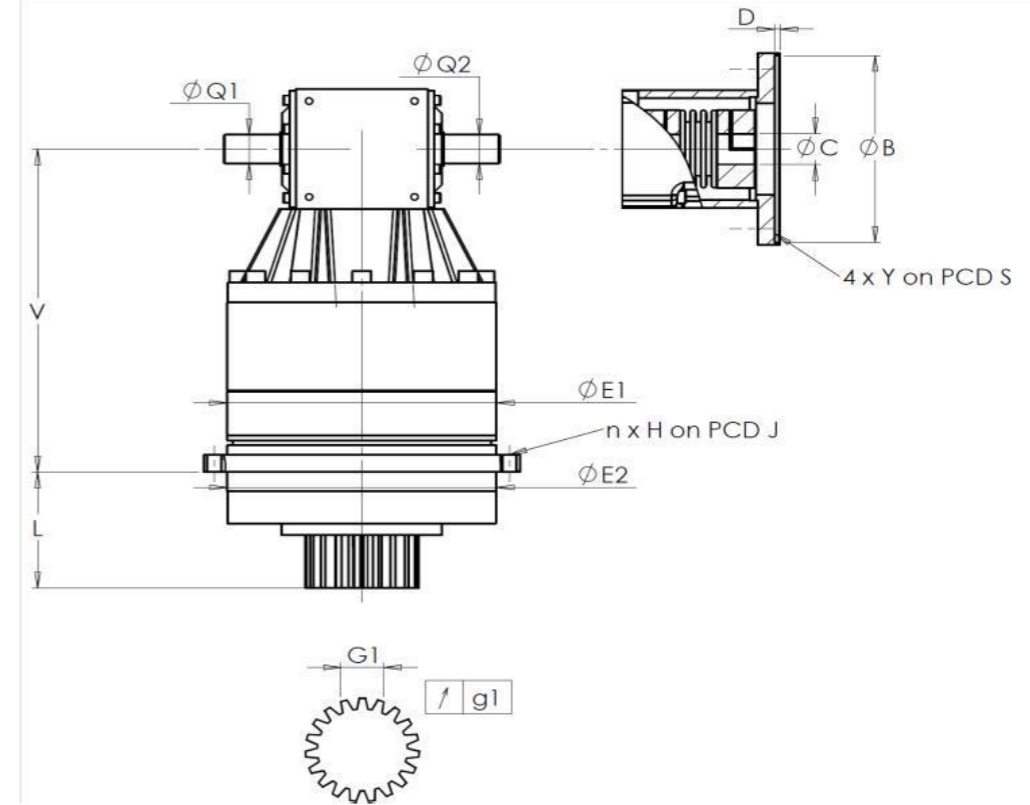


CUSTOMER: **ARCO CHEER ENTERPRISE CO** CUSTOMER ORDER REF: **RX112310T ARCO CHEER**
 DISTRIBUTOR: **REDEX ORDER REF: 217827**
 DESIGNATION: **KRP2.R1.21.4.H** SERIAL NUMBER: **907920**
 CODE: **RX133930-11** MOTOR FLANGE CODE:

EXTERNAL DIMENSIONS & INTERFACES: SN: **907920**



For the installation, please refer to User Manual KRP (182/008)

SPECIFIC REMARKS:

General tolerance: Js13 *Cmm* Automatic / manual coordinate-measuring machine μm Micrometer *Cr* Calliper rule *Di* Dial indicator *Pg* Plug gauge

| HOUSING | | | | OUTPUT PINION | | | | MOTOR FLANGE | | | |
|----------------|--|---|-----------------------------|---------------------------------|----|--|-----------|-------------------------|-------------|---------|-----------|
| requirement | | measure | | requirement | | measure | | requirement | | measure | |
| | | F3567 | | | | F3713 | | | | - | |
| E1 | 212h7 ⁰ _{-0,046} μm | | 211,98 | Span dimension over 4 teeth | | | | \emptyset | B | | μm |
| E2 | 200h7 ⁰ _{-0,046} μm | | 199,98 | \nearrow | G1 | 44,27 ⁰ _{-0,03} <i>Cmm</i> | 44,25 | \emptyset | C | | μm |
| n x H on PCD J | 12 \emptyset 9 on PCD 233 | <i>Cr</i> | 12 \emptyset 9 on PCD 233 | | g1 | 0,022 | <i>Di</i> | 0,01 | \emptyset | D | <i>Cr</i> |
| V | 289 | μm | 289,39 | No-load input torque | | | | \emptyset | S1 | | <i>Cr</i> |
| L | 94 | μm | 93,88 | Line 1 | | 1,5 Nm | | \emptyset | Y1 | | <i>Pg</i> |
| \emptyset Q1 | 25 | ^{+0,009} _{-0,004} μm | 25,007 | Noise level | | | | | | | |
| \emptyset Q2 | 25 | ^{+0,009} _{-0,004} μm | 25,009 | | | Line | Stiffness | @1600 rpm input (dB(A)) | | 74,5 | |
| | | | | Torsional stiffness (Nm/arcmin) | | 1 | 243,75 | | | | |
| | | | | Radial stiffness (N/ μm) | | 1 | 626 | | | | |

Date: **09/08/2023**

Visa: **P VASLIER**

Version: **A**

Product images are for illustrative purposes only.