

CUSTOMER: NIDEC
DISTRIBUTOR: S & F INC
DESIGNATION: DRP4+P.46.4.H
CODE: RX130917-13

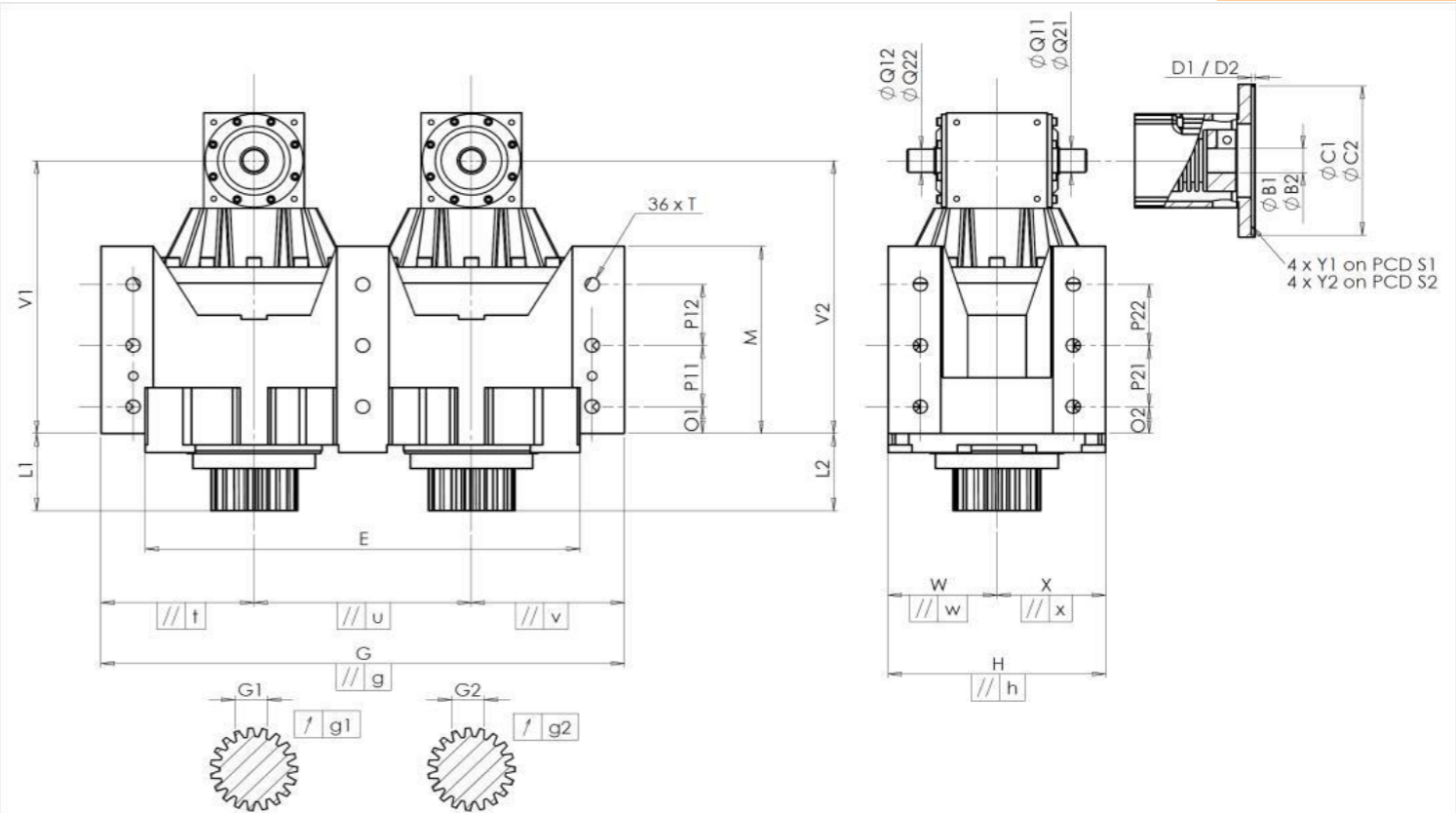
CUSTOMER ORDER REF: 23077706IB-1 NIDEC
REDEX ORDER REF: 217983
SERIAL NUMBER: 907919
MOTOR FLANGE CODE: RX129551-03

For the installation, please refer to User Manual DRP (182/009)

SPECIFIC REMARKS:

Product images are for illustrative purposes only.

EXTERNAL DIMENSIONS & INTERFACES:
SN: 907919



General tolerance: Js13
Cmm Automatic / manual coordinate-measuring machine
µm Micrometer
Cr Calliper rule
Di Dial indicator
Pg Plug gauge

HOUSING				HOUSING				MOTOR FLANGE				
requirement	measure	requirement	measure	requirement	measure	requirement	measure					
	E6310	O1	43	Cr	43		F4458					
E	640 ⁰ _{-0,1}	Cmm	639,938	P11	100	Cr	100	∅ B1	114,3 ^{+0,047} _{+0,012}	µm	114,325	
G	800 ^{+0,2} _{-0,2}	Cmm	800,014	P12	100	Cr	100	∅ C1	35 ^{+0,05} _{+0,025}	µm	35,05	
// g	0,05	Cmm	0,01	M	288 ^{+0,1} _{-0,1}	Cmm	288,064	D1	18	Cr	18	
// t	0,05	Cmm	0,005	O2	43	Cr	43	∅ S1	200	Cr	200	
// u	0,035	Cmm	0,008	P21	100	Cr	100	∅ Y1	M12	Pg	M12	
// v	0,05	Cmm	0,005	P22	100	Cr	100				F4461	
W	160	Cmm	159,989	∅ T	M24	Pg	M24	∅ B2	114,3 ^{+0,047} _{+0,012}	µm	114,315	
// w	0,04	Cmm	0,006	OUTPUT PINION				∅ C2	35 ^{+0,05} _{+0,025}	µm	35,05	
X	160	Cmm	160,028	Pinion 1					D2	18	Cr	18
// x	0,04	Cmm	0,005	Span dimension over 3 teeth				∅ S2	200	Cr	200	
H	320 ^{+0,04} _{-0,04}	Cmm	320,017	G1	46,9 ⁰ _{-0,03}	Cmm	46,885	∅ Y2	M12	Pg	M12	
// h	0,02	Cmm	0,014	↗ g1	0,022	Di	0,02	Line Stiffness				
V1	435	Cmm	435,15	Pinion 2				Torsional stiffness (Nm/arcmin)	1	745,99		
L1	120	Cmm	119,812	Span dimension over 3 teeth					2	745,99		
V2	435	Cmm	435,12	G2	46,9 ⁰ _{-0,03}	Cmm	46,885	Radial stiffness (N/µm)	1	992		
L2	120	Cmm	119,724	↗ g2	0,022	Di	0,02		2	1102		
∅ Q11/Q12	35 ^{+0,011} _{-0,005}	Cmm	35,002/0,005	No-load input torque				Noise level				
∅ Q21/Q22	35 ^{+0,011} _{-0,005}	Cmm	35,005/0,003	Line 1	2,2 Nm			@ 1300 rpm input (dB(A))	69,0			
				Line 2	2,5 Nm							

Date: 27/07/2023

Visa: P VASLIER

Version: A